

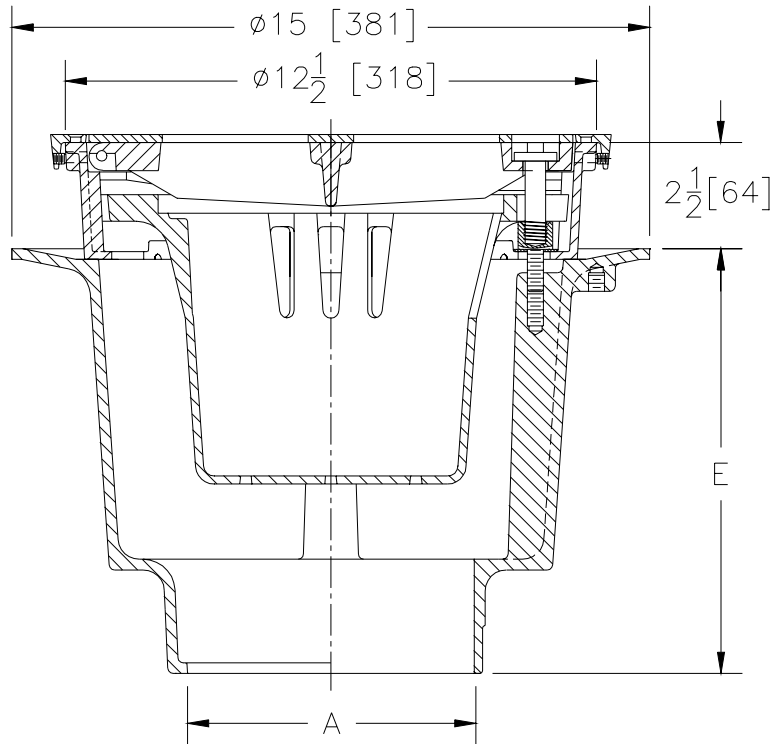


Z-610-92

12" [305] HEAVY DUTY DRAIN WITH HINGED LOCKING GRATE

TAG _____

Dimensional Data (inches and [mm]) are Subject to Manufacturing Tolerances and Change Without Notice



A- Pipe Size In.	Approx. Wt. Lbs. [kg]	Grate Open Area Sq. In. [cm ²]
2-3-4-5-6 [50-75-100-125-150]	79 [36]	40 [258]
8-10 [200-250]	75 [34]	

ENGINEERING SPECIFICATION: ZURN ZB-610-92 12 [305] Square top drain, Dura-Coated cast iron deep sump body with bottom outlet, seepage pan and combination membrane flashing clamp and frame for heavy duty cast iron hinged locking grate, with suspended sediment bucket.

OPTIONS (Check/specify appropriate options)

PIPE SIZE

3 thru 6 [50 thru 150]
3 thru 6, 8 [50 thru 150, 200]

(Specify size/type) **OUTLET**

_____ IC Inside Caulk
_____ NH No-Hub

'E' BODY HT. DIM.

10 [254]
10 [254]

PREFIXES

_____ ZB- D.C.C.I Body w/Polished Bronze Top (Add 3/16 [5] to 2 1/2 [64] Dim. and 3/4 [19] to 12 1/2 [318] Dim.)*
_____ ZN- D.C.C.I Body w/Polished Nickel Bronze Top (Add 3/16 [5] to 2 1/2 [64] Dim. and 3/4 [19] to 12 1/2 [318] Dim.)

SUFFIXES

_____ -AR Acid Resistant Epoxy Coated Finish
_____ -DG Duresist Grate
_____ -DX Dex-o-tex Flange
_____ -G Galvanized Cast Iron
_____ -P Trap Primer Connection
_____ -V Backwater Valve (See Z-1099)
_____ -90 90° Threaded Side Outlet Body

REV.	DATE: 07/17/97	C.N. NO. 78238
DWG. NO. P-14497		PRODUCT NO. Z-610-92

*REGULARLY FURNISHED UNLESS OTHERWISE SPECIFIED