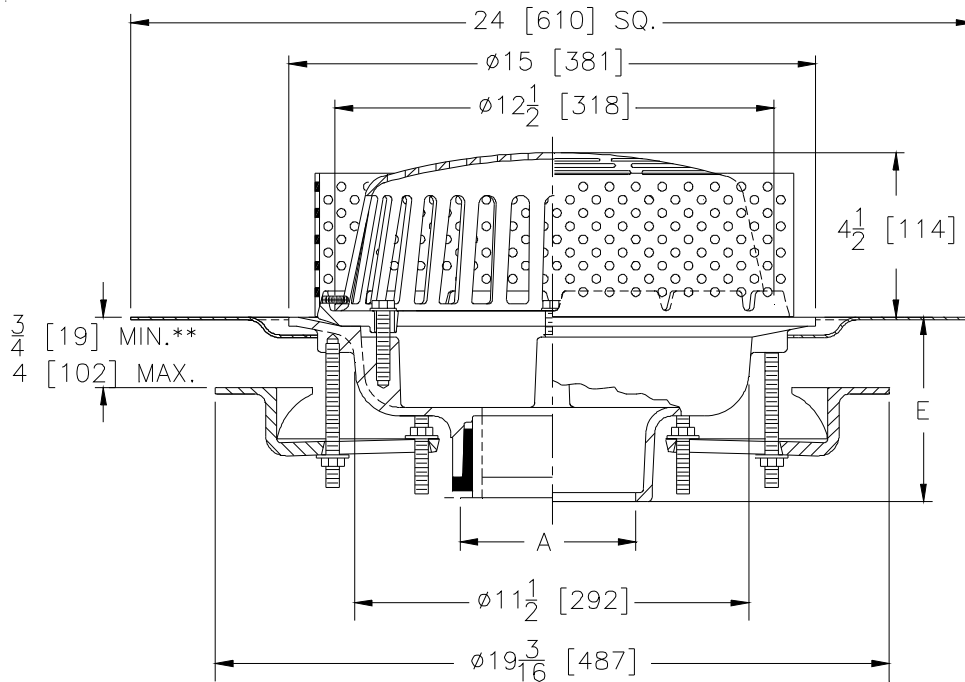




ZC100-C-R-VP-84

15 [381] DIAMETER MAIN ROOF DRAIN WITH PERFORATED GRAVEL GUARD, UNDERDECK CLAMP, ROOF SUMP RECEIVER AND VANDAL-PROOF SECURED DOME **SPECIFICATION SHEET**
TAG _____

Dimensional Data (inches and [mm]) are Subject to Manufacturing Tolerances and Change Without Notice



A Pipe Size In [mm]	Approx. Wt. Lbs. [kg]	Dome Open Area Sq. In. [cm ²]
2, 3, 4 [51, 76, 102]	28 [13]	103 [665]
6 [152]	29 [13]	
8 [203]	30 [14]	

ENGINEERING SPECIFICATION: ZURN ZC-100-C-R-VP-84
15" [381mm] Diameter roof drain. Dura-Coated cast iron body, clamping collar with integral gravel guard, perforated gravel guard, vandal proof secured low silhouette cast iron dome, underdeck clamp and roof sump receiver.

OPTIONS (Check/specify appropriate options)

PIPE SIZE

- 3, 4, 6 [76, 102, 152]
- 2, 3, 4, 6, 8 [51, 76, 102, 152, 203]
- 2, 3, 4, 6, 8 [51, 76, 102, 152, 203]
- 2, 3, 4 [51, 76, 102]
- 6 [152]

(Specify size/type) **OUTLET**

- _____ IC Inside Caulk
- _____ IP Threaded
- _____ NH No-Hub
- _____ NL Neo-Loc
- _____ NL Neo-Loc

E BODY HT. DIM.

- 5-1/4 [133]
- 3-3/4 [95]
- 5-1/4 [133]
- 4-5/8 [117]
- 5-7/16 [138]

PREFIXES

- _____ ZC D.C.C.I. Body with Cast Iron Dome

SUFFIXES

- | | |
|---|---|
| _____ -AR Acid Resistant Epoxy Coated Finish | _____ -TC Neo-Loc Test Cap Gasket |
| _____ -E Static Extension 1 [25] thru 4 [102] (Specify Ht.) | _____ (2,3,4 [51,76,102] NL Bottom Outlet Only) |
| _____ -EA Adjustable Extension Assembly | _____ -W2 2 [51] Internal Water Dam |
| _____ -G Galvanized Cast Iron | _____ -W3 3 [76] Internal Water Dam |
| _____ -SC Secondary Clamping Collar | _____ -W4 4 [102] Internal Water Dam |
| _____ -SS Stainless Steel Mesh Screen Over Dome | _____ -85 Stainless Steel Perforated Extension |
| _____ -ST Dome with Solid Top | _____ -89 2 [51] High External Water Dam |
| | _____ -90 90° Threaded Side Outlet Body |

* Regularly furnished unless otherwise specified.