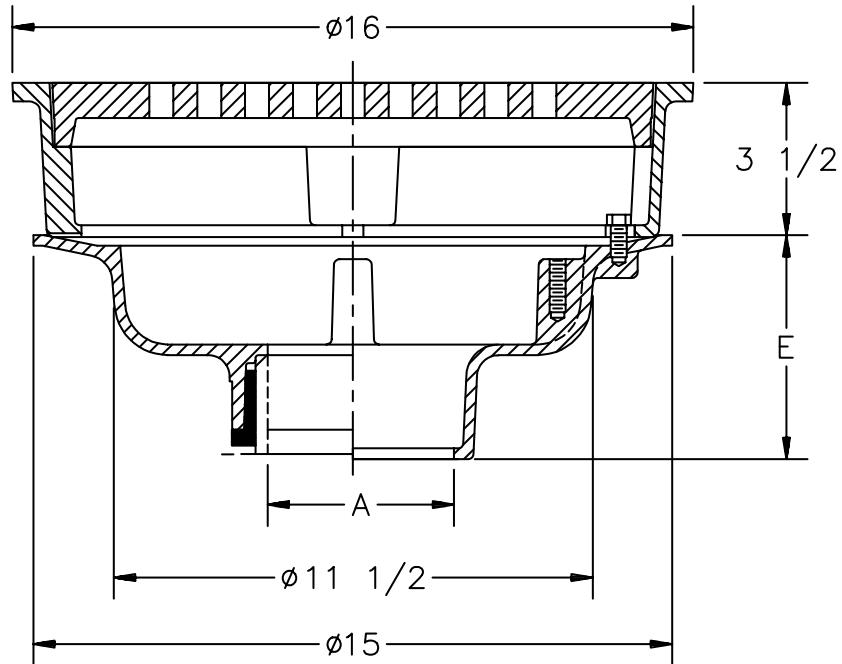




**Z-543-79
16" DIAMETER
HEAVY DUTY DRAIN**

TAG: _____

Dimensional Data (inches and [mm]) are Subject to Manufacturing Tolerances and Change Without Notice



A Pipe Size In.	Approx. Wt. Lbs.	Grate Open Area Sq. In.
2-3-4	69	45
5-6	69	
8	71	
10	70	

ENGINEERING SPECIFICATION: ZURN Z-543-79 16" Diameter top drain, Dura-Coated cast iron body with bottom outlet, seepage pan and combination membrane flashing clamp and frame for heavy duty cast iron slotted grate.

OPTIONS (Check/specify appropriate options)

OUTLET (Specify type)

- _____ **IC** Inside Caulk
- _____ **IG** Inside Caulk w/Sealtrol Gskt.
- _____ **IP** Threaded
- _____ **NH** No-Hub
- _____ **NL** Neo-Loc

PIPE SIZE (Specify size)

- _____ 2" thru 6", 8", 10"
- _____ 2" thru 6"
- _____ 2" thru 6", 8", 10"
- _____ 2" thru 6", 8", 10"
- _____ 2" thru 4"

**'E' BODY HT.
DIMENSION**

- 5-1/4"
- 5-1/4"
- 3-3/4"
- 5-1/4"
- 4-5/8"

PREFIXES

- _____ **Z-** D.C.C.I. Body and Grate*
- _____ **ZB-** D.C.C.I. Body with Polished Bronze Grate (Add 3/16" to 3-1/2" Dim.)
- _____ **ZN-** D.C.C.I. Body with Polished Nickel Bronze Grate (Add 3/16" to 3-1/2" Dim.)

SUFFIXES

- _____ **-DG** Duresist Grate
- _____ **-G** Galvanized Cast Iron
- _____ **-VP** Vandal Proof Secured Top
- _____ **-90** 90° Threaded Side Outlet (See Z-115)

REV.	DATE: 10/28/92	C.N. NO. 68656
DWG. NO. P-13764 PRODUCT NO. Z-543-79		

*REGULARLY FURNISHED UNLESS OTHERWISE SPECIFIED