



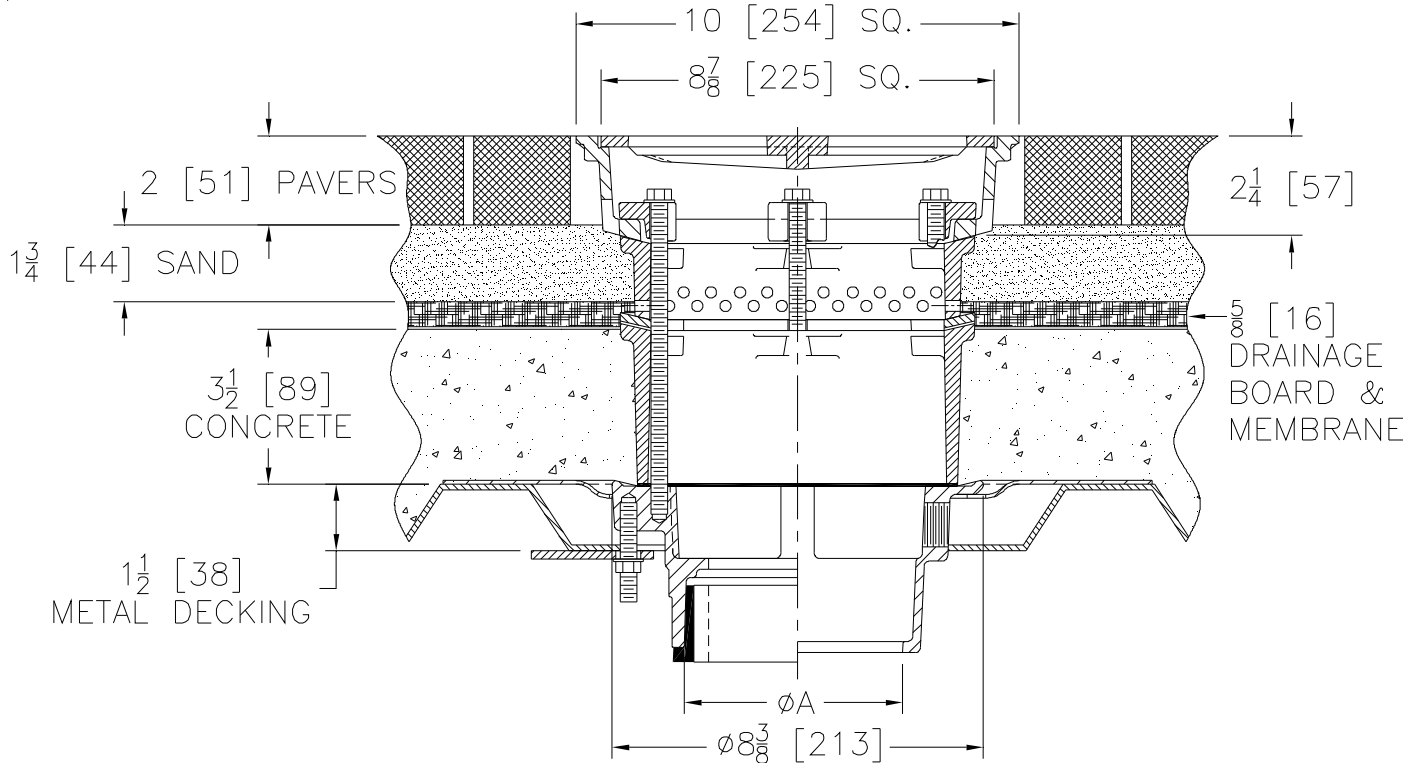
Z158-92

SPECIFICATION SHEET

10 [254] SQ. TOP PROM-DECK DRAIN W/ HEEL-PROOF GRATE & ROTATABLE FRAME

TAG _____

Dimensional Data (inches and [mm]) are Subject to Manufacturing Tolerances and Change Without Notice



A- Pipe Size In.	Approx. Wt. Lbs. [kg]	Grate Open Area Sq. In. [cm ²]
2-3-4 [51-76-102]	23 [10]	11 [71]

ENGINEERING SPECIFICATION: ZURN Z158-92

10 [254] Prom-Deck drain, Dura-Coated cast iron body with square bronze promenade rotatable frame and heel-proof grate, 2 5/8 [67] perforated static extension, flat clamping collar, 3 1/2 [89] extension, combination membrane flashing clamp/gravel guard, roof sump receiver and underdeck clamp.

OPTIONS (Check/specify appropriate options)

PIPE SIZE (Specify size)

- 2 thru 4 [51 thru 102]
- 2 thru 4 [51 thru 102]
- 2 thru 4 [51 thru 102]
- 2 thru 4 [51 thru 102]
- 2 thru 4 [51 thru 102]

OUTLET (Specify size)

- ___ IC Inside Caulk
- ___ IC Inside Caulk w/Sealtrol Gskt.
- ___ IP Threaded
- ___ NH No-Hub
- ___ NL Neo-Loc

'E' BODY HT. DIM.

- 3 7/8 [98]
- 3 7/8 [98]
- 2 5/8 [67]
- 3 7/8 [98]
- 4 5/8 [117]

PREFIXES

- ___ Z D.C.C.I. Body and Top
- ___ ZB D.C.C.I. Body and Polished Bronze Top*
- ___ ZN D.C.C.I. Body and Polished Nickel Bronze Top

SUFFIXES

- ___ -DG Duresist Grate (Z only)
- ___ -G Galvanized Cast Iron
- ___ -TS Top Secured with Slotted Screws
- ___ -VP Vandal Proof Secured Top

REV. A DATE: 07/18/06 C.N. NO. 95329

*REGULARLY FURNISHED UNLESS OTHERWISE SPECIFIED

DWG. NO. P-14932

PRODUCT NO. Z158-92

ZURN INDUSTRIES, INC. ♦ SPECIFICATION DRAINAGE OPERATION ♦ 1801 Pittsburgh Ave. ♦ Erie, PA 16514

Phone: 814/455-0921 ♦ Fax: 814/454-7929 ♦ World Wide Web: www.zurn.com

In Canada: ZURN INDUSTRIES LIMITED ♦ 3544 Nashua Drive ♦ Mississauga, Ontario L4V1L2 ♦ Phone: 905/405-8272 Fax: 905/405-1292