



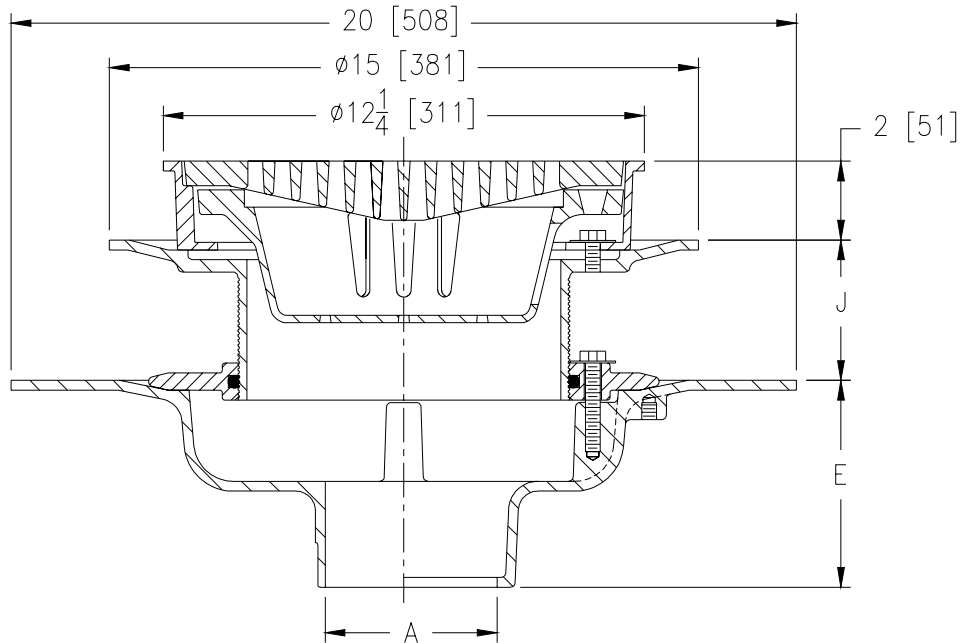
# Z541-117

## 12 [305] DIAMETER HEAVY-DUTY DRAIN WI/ ADJUSTABLE EXTENSION ASSEMBLY

SPECIFICATION SHEET

TAG \_\_\_\_\_

Dimensional Data (inches and [ mm ]) are Subject to Manufacturing Tolerances and Change Without Notice



A Pipe Size In.	Approx. Wt. Lbs. [kg]	Grate Open Area Sq. In. [cm <sup>2</sup> ]	J	
			Min.	Max.
3-4 [76-102]	52 [24]	30 [194]	1 3/4 [44]	3 1/2 [89]
6-8 [152-203]	54 [24]			

**ENGINEERING SPECIFICATION: ZURN Z541-117**  
12 [305] Diameter top drain. Dura-Coated cast iron body with bottom outlet, seepage pan and combination membrane flashing clamp, adjustable extension and frame for heavy duty grate and bucket.

**OPTIONS** (Check/specify appropriate options)

**PIPE SIZE**

3,4,6 [76,102,152]  
3,4,6,8 [76,102,152,203]

(Specify size/type) **OUTLET**

\_\_\_\_\_ IC Inside Caulk  
\_\_\_\_\_ NH No-Hub

**E BODY HT. DIM.**

5 1/4 [133]  
5 1/4 [133]

**PREFIXES**

- \_\_\_\_\_ Z D.C.C.I. Body and Top\*
- \_\_\_\_\_ ZB D.C.C.I. Body with Polished Bronze Top (Add 3/16 [5] to 2 [51] Dim.)
- \_\_\_\_\_ ZN D.C.C.I. Body with Polished Nickel Bronze Top (Add 3/16 [5] to 2 [51] Dim.)

**SUFFIXES**

- \_\_\_\_\_ -AR Acid Resisting Epoxy Coated Cast Iron
- \_\_\_\_\_ -D Dome Grate (D.C.C.I. only)
- \_\_\_\_\_ -DG Duresist Grate
- \_\_\_\_\_ -G Galvanized Cast Iron
- \_\_\_\_\_ -H Hinged Grate
- \_\_\_\_\_ -HP Heel-Proof Grate
- \_\_\_\_\_ -P Trap Primer Connection
- \_\_\_\_\_ -PH Packing House Grate
- \_\_\_\_\_ -TS Top Secured with Slotted Screws
- \_\_\_\_\_ -V Backwater Valve (See Z1099)
- \_\_\_\_\_ -VP Vandal-Proof Secured Top
- \_\_\_\_\_ -WS Wide Slotted Grate (50 sq. in open)

\*REGULARLY FURNISHED UNLESS OTHERWISE SPECIFIED

REV. A	DATE: 6/29/05	C.N. NO. 93577
DWG. NO. P-15036		PRODUCT NO. Z541-117