



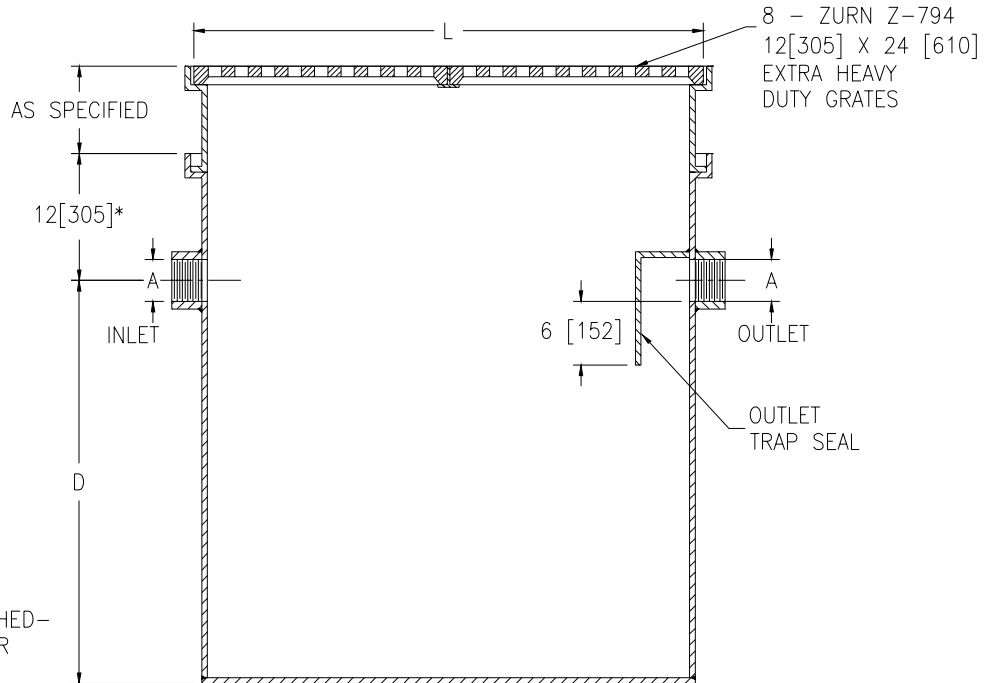
Z-1187-78

SAND TRAP WITH RETROFIT EXTENSION ASSEMBLY

SPECIFICATION SHEET

TAG _____

Dimensional Data (inches and [mm]) are Subject to Manufacturing Tolerances and Change Without Notice



*12[305] REGULARLY FURNISHED—
SPECIFY DIMENSION IF HIGHER
OR LOWER IS REQUIRED

Size	Flow G.P.M. [L] (Max.)	A Pipe Size	L	D	Capacity Gal. [L] (Static)	No. of 12 x 24 [305 x 610] Grates	Width
-20	20	4 [102]	24 [610]	26 [660]	60 [227]	2	24 [610]
-50	50	4 [102]	48 [1219]	26 [660]	120 [454]	4	24 [610]
-150	150	4 [102]	48 [1219]	38 [965]	360 [1363]	8	48 [1219]
-250	250	6 [152]	72 [1829]	39 [991]	540 [2044]	12	48 [1219]
-500	500	6 [152]	120 [3058]	51 [1295]	1200 [4542]	20	48 [1219]

ENGINEERING SPECIFICATION: ZURN Z-1187-78 Acid Resistant Coated fabricated steel sand trap with retrofit extension, threaded inlet and outlet, complete with removable heavy duty grates.

OPTIONS (Check/specify appropriate options)

PREFIXES

___ Z- Acid Resistant Coated Fabricated Steel*

SUFFIXES

- ___ -HD Extra heavy duty reinforced cover(s) for vehicular traffic.
(Specify working load requirements)
- ___ -NH No-Hub Inlet and Outlet (Specify Size)
- ___ -VP Vandal Proof Screws

REV.	DATE: 10/28/98	C.N. NO. 81464
DWG. NO. P-14677 PRODUCT NO. Z-1187-78		

*REGULARLY FURNISHED UNLESS OTHERWISE SPECIFIED