



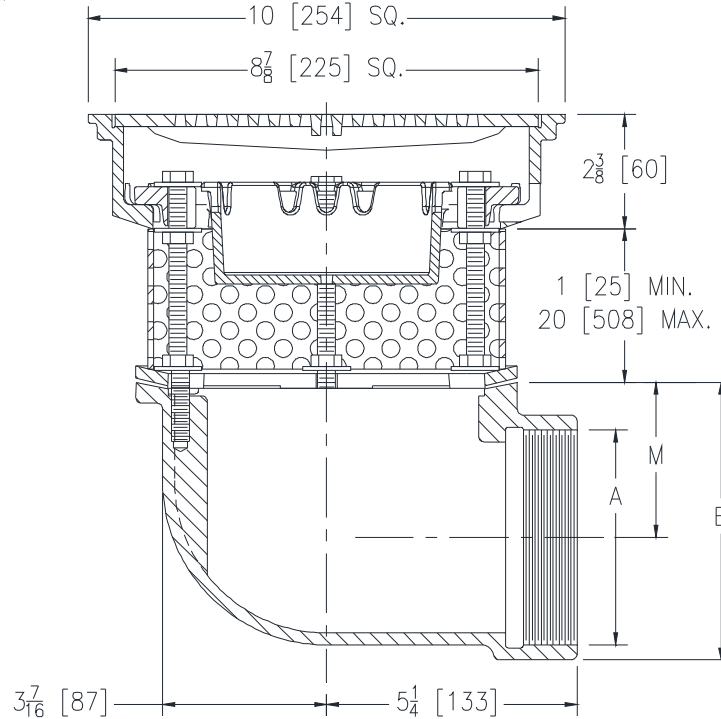
Z158-85-90-Y-VP

10 [254] SQUARE TOP LATERAL PROM-DECK DRAIN W/
HEEL PROOF GRATE, PERFORATED EXTENSION,
ROTATABLE FRAME, AND VANDAL-PROOF TOP.

SPECIFICATION SHEET

TAG _____

Dimensional Data (inches and [mm]) are Subject to Manufacturing Tolerances and Change Without Notice



Dimensions in In [mm]		Approx. Wt. Lbs. [kg]	Grate Open Area Sq. In [cm ²]
A Pipe Size	M		
2 [51]	4-7/16 [113]	30 [14]	21 [136]
3 [76]	3-7/8 [98]	30 [14]	21 [136]
4 [102]	3-3/8 [86]	29 [13]	21 [136]

ENGINEERING SPECIFICATION: ZURN Z158-85-90-Y-VP
10" [254mm] Square top lateral Prom-Deck drain, Dura-Coated cast iron body with rotatable square promenade frame with seepage openings, frame clamps, stainless steel perforated extension, secondary clamp collar, vandal-proof light-duty heel-proof grate and sediment bucket.

OPTIONS (Check/specify appropriate options)

PIPE SIZE	(Specify size/type) OUTLET	'E' BODY HT. DIM.
2 [51]	____ IP Threaded	6 [152]
3 [76]	____ IP Threaded	6 [152]
4 [102]	____ IP Threaded	6 [152]

PREFIXES

- ____ Z D.C.C.I. Body with Top*
- ____ ZB D.C.C.I. Body with Polished Bronze Top (Add 3/16 [5] to 2-3/8 [60] Dim & 5/8 [16] to 10 [254] Dim)
- ____ ZN D.C.C.I. Body with Polished Nickel Bronze Top (Add 3/16 [5] to 2-3/8 [60] Dim & 5/8 [16] to 10 [254] Dim)

SUFFIXES

- ____ -AR Acid Resistant Epoxy Coated
- ____ -C Underdeck Clamp
- ____ -DG Duresist Grate (Z Only)
- ____ -DT Decorative Polished Top (ZB and ZN Only)
- ____ -E 2 [51] High Static Extension
- ____ -G Galvanized Cast Iron

* Regularly furnished unless otherwise specified.