



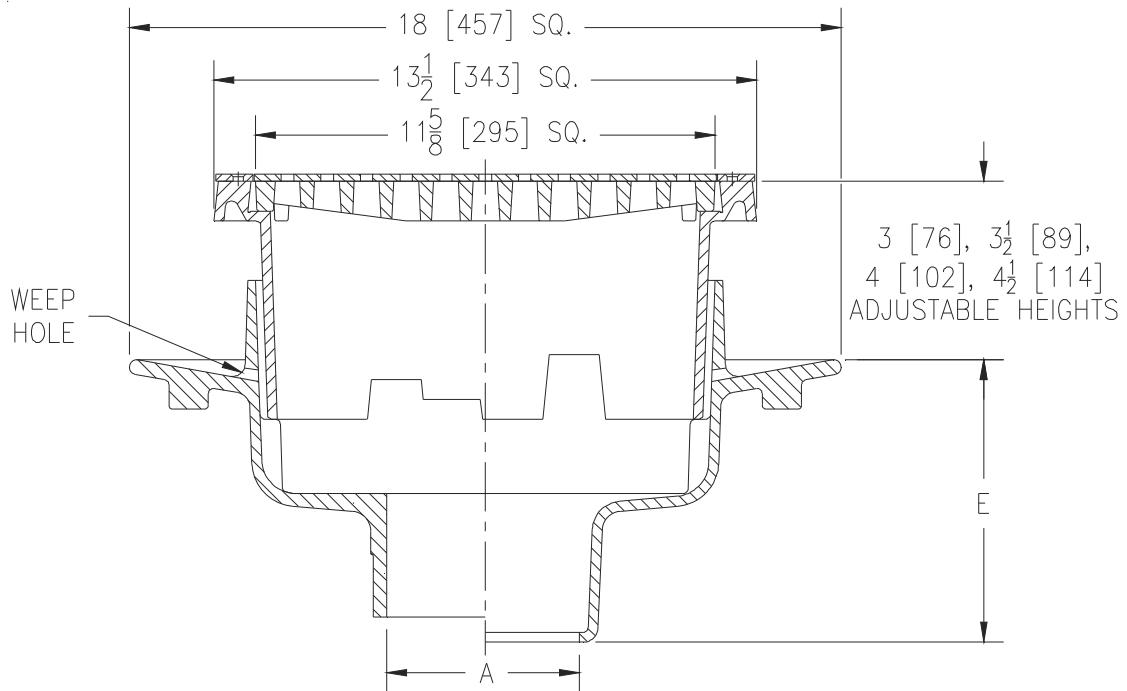
Z676-80

13 [330] SQ EXTRA HEAVY-DUTY DRAIN
WITH HEEL PROOF VENEER

SPECIFICATION SHEET

TAG _____

Dimensional Data (inches and [mm]) are Subject to Manufacturing Tolerances and Change Without Notice



A - Pipe Size In [mm]	Approx. Wt. Lbs. [kg]	Grate Open Area Sq. In. [cm ²]
3,4,6 [76,102,152]	95 [43]	32 [208]

ENGINEERING SPECIFICATION: ZURN Z676-80

13" [330mm] Square top drain, Dura-Coated cast iron body with bottom outlet, seepage pan and vertically adjustable four position frame for Duresist extra heavy-duty loose slotted grate with heel proof veneer.

OPTIONS (Check/specify appropriate options)

PIPE SIZE

- 3,4,6 [76,102,152]
- 3,4,6 [76,102,152]
- 3,4,6 [76,102,152]
- 3,4,6 [76,102,152]
- 3,4 [76,102]

(Specify size/type) **OUTLET**

- ___ IC Inside Caulk
- ___ IG Inside Gasket
- ___ IP Threaded
- ___ NH No-Hub (IP w/ Z1040)
- ___ NL Neo-Loc

'E' BODY HT. DIM.

- 7-1/8 [181]
- 7-1/8 [181]
- 7-1/8 [181]
-
- 7-5/8 [194]

PREFIXES

- ___ ZB D.C.C.I Body w/ Polished Bronze Top (Add 3/4 [19] to 13-1/2 [343] Dim. and 3/16 [5] to 'E' Dim.)*
- ___ ZN D.C.C.I Body w/ Polished Nickel Bronze Top (Add 3/4 [19] to 13-1/2 [343] Dim. and 3/16 [5] to 'E' Dim.)

SUFFIXES

- ___ -AR Acid Resisting Epoxy Coated Cast Iron
- ___ -C Clamp Collar
- ___ -G Galvanized Cast Iron
- ___ -S Secondary Strainer
- ___ -TS Top Secured With Slotted Screws
- ___ -VP Vandal-Proof Secured Top
- ___ -Y Sediment Bucket

* Regularly furnished unless otherwise specified.