



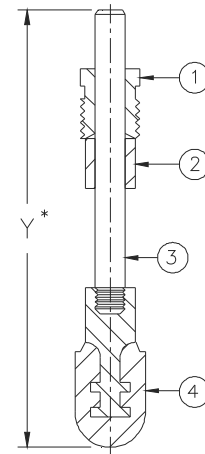
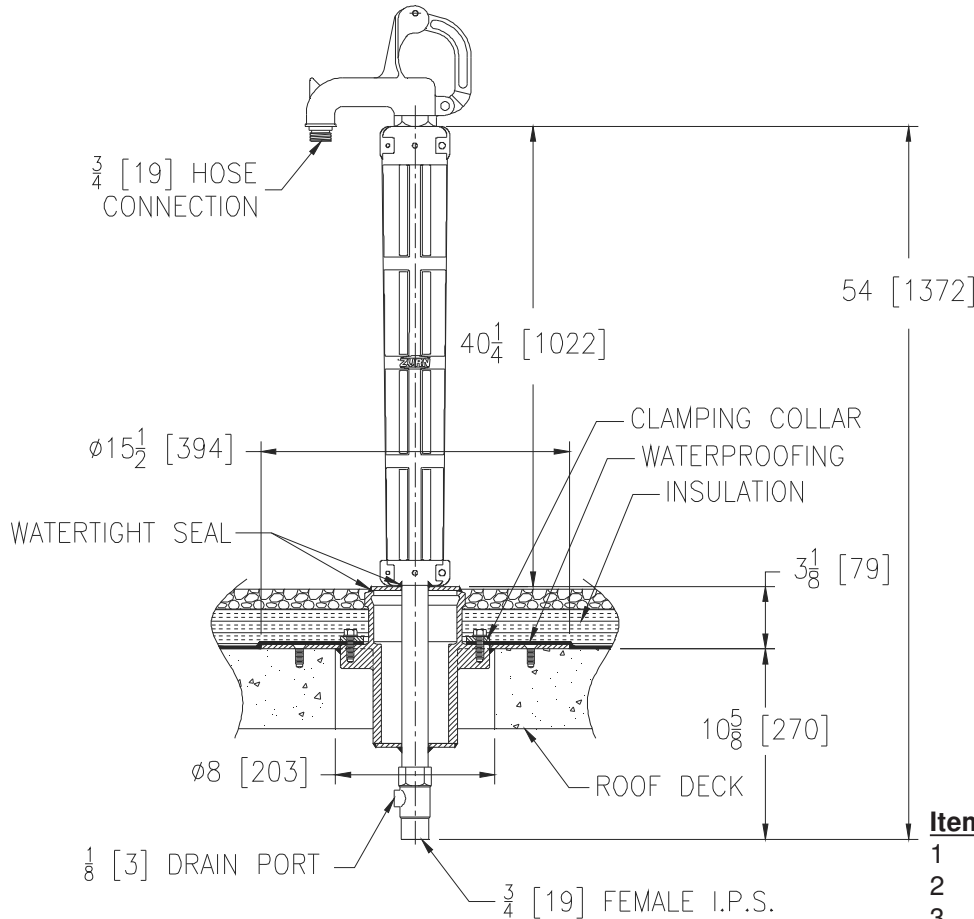
# Z1388XL-AC

Roof Hydrant Exposed Head, Non-Freeze W/ Aluminum Casing Guard

SPECIFICATION SHEET

TAG \_\_\_\_\_

Dimensional Data (inches and [mm]) are Subject to Manufacturing Tolerances and Change Without Notice



Internal Components		
Item	Name	Quan.
1	Packing Nut	1
2	Packing	1
3	Operating Rod	1
4	Plunger	1

Approx. Wt. Lbs. [kg]
27 [12]

### ENGINEERING SPECIFICATION: ZURN Z1388XL-AC

Exposed, lead-free, non-freeze roof hydrant. Hydrant features a Dura-Coated cast iron head and lift handle with lock option, galvanized steel casing, bronze and stainless steel interior components, 3/4" [19mm] inlet connection with 1/8" [3mm] tapped drain port on housing, and 3/4" [19mm] male hose connection. Complete with Dura-Coated cast iron roof support sleeve with wide anchoring flange, clamp collar, and Aluminum Casing Guard

*Zurn "XL" Lead-Free compliant products are a line of durable plumbing products designed and manufactured to comply with state laws and local codes that mandate maximum allowable lead content levels. Zurn "XL" products are manufactured in accordance to the Federal SWDA section 1417.*

### OPTIONS (Check/specify appropriate options)

### SUFFIXES

- \_\_\_\_\_ -RK Hydrant Parts Repair Kit (HYD-RK-Z1395XL)
- \_\_\_\_\_ -VB 3/4 [19] Adapter Vacuum Breaker

\* Regularly furnished unless otherwise specified.

\*\* When ordering replacement cartridge assembly Specify Y dim.