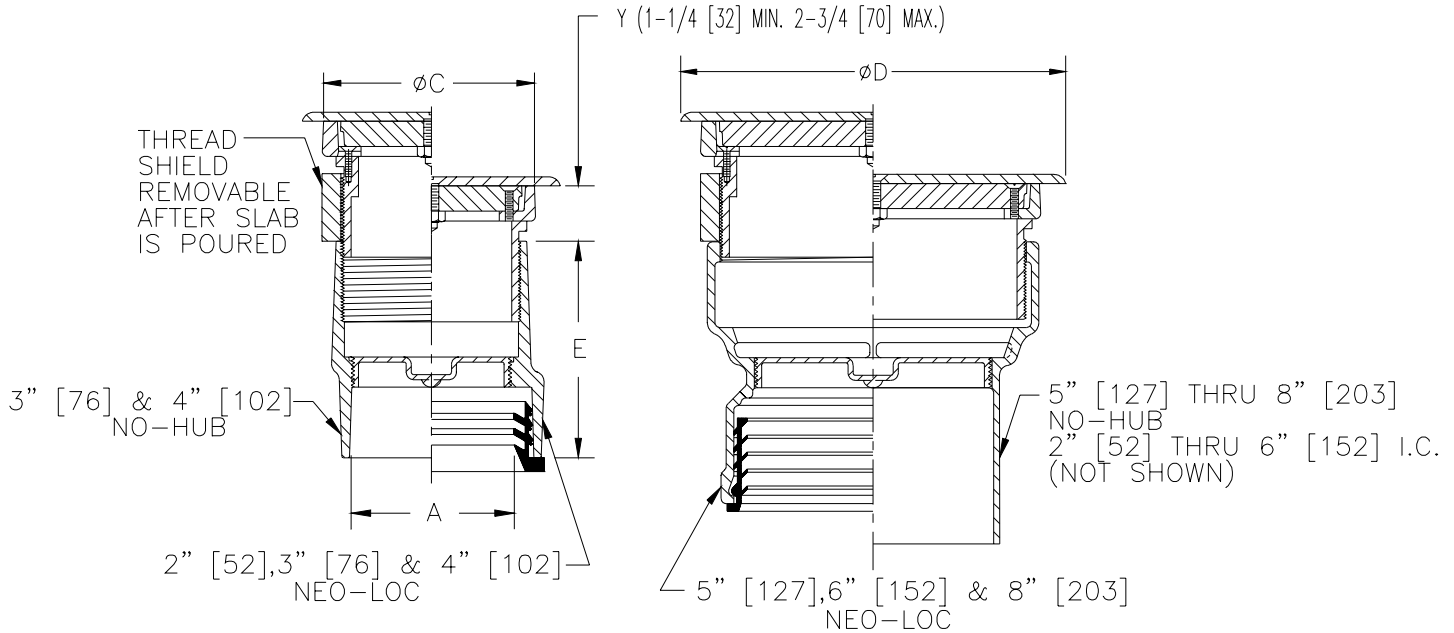




# Z-1400-77 ADJUSTABLE CLEANOUT

TAG \_\_\_\_\_

Dimensional Data (inches and [ mm ]) are Subject to Manufacturing Tolerances and Change Without Notice



Dimensions In Inches				Approx. Wt. Lbs.
A-Pipe Size	C	D	E	
Inside Caulk				
2[52]	6-1/8[156]	7-1/8[181]	6-7/8[175]	16[7]
3[76]	6-1/8[156]	7-1/8[181]	6-7/8[175]	16[7]
4[102]	7-1/4[184]	8-1/4[210]	6-7/8[175]	19[9]
5[127]	8-1/4[210]	9-1/4[235]	6-7/8[175]	21[10]
6[152]	9-1/4[235]	10-1/4[260]	6-7/8[175]	23[10]
No-Hub				
3[76]	4-1/8[105]	5-1/8[130]	5-3/8[137]	10[5]
4[102]	5-1/8[130]	6-1/8[156]	5-3/8[137]	12[5]
5[127]	7-1/4[184]	8-1/4[206]	7-1/2[191]	18[8]
6[152]	8-1/4[210]	9-1/4[235]	7-1/2[191]	22[10]
8[203]	9-1/4[235]	10-1/4[260]	7-1/2[191]	27[12]
Neo-Loc				
2[52]	4-1/8[105]	5-1/8[105]	5-3/8[137]	10[5]
3[76]	5-1/8[130]	6-1/8[156]	5-3/8[137]	12[5]
4[102]	5-1/8[130]	6-1/8[156]	5-3/8[137]	14[6]
5[127]	7-1/4[184]	8-1/4[201]	6-1/2[165]	18[8]
6[152]	8-1/4[210]	9-1/4[235]	6-1/2[165]	22[10]
8[203]	9-1/4[235]	10-1/4[260]	6-1/2[165]	27[12]

**ENGINEERING SPECIFICATION:** ZURN Z-1400-77 Adjustable floor cleanout, Dura-Coated cast iron body, with watertight ABS tapered thread plug, carpeted clamping frame and round scoriated top, adjustable to finished floor.

**OPTIONS** (Check/specify appropriate options)

**PREFIXES**

- \_\_\_\_\_ **Z-** D.C.C.I.\*
- \_\_\_\_\_ **ZB-** D.C.C.I. with Polished Bronze Top
- \_\_\_\_\_ **ZN-** D.C.C.I. with Polished Nickel Bronze Top

**SUFFIXES**

- \_\_\_\_\_ **-BP** Bronze Plug
- \_\_\_\_\_ **-DC** Duresist Cover
- \_\_\_\_\_ **-G** Galvanized Cast Iron
- \_\_\_\_\_ **-GC** Gasketed Cover
- \_\_\_\_\_ **-K** Anchor Flange
- \_\_\_\_\_ **-KC** Anchor Flange w/Clamping Collar
- \_\_\_\_\_ **-VP** Vandal Proof Secured Top

**OUTLET** (Specify type)

- \_\_\_\_\_ **IC** Inside Caulk
- \_\_\_\_\_ **NH** No-Hub
- \_\_\_\_\_ **NL** Neo-Loc

**PIPE SIZE** (Specify size)

- \_\_\_\_\_ 2" thru 6" [52 thru 152]
- \_\_\_\_\_ 2" thru 6", 8" [52 thru 152, 203]
- \_\_\_\_\_ 2" thru 6", 8" [52 thru 152, 203]

**E BODY HT. DIM.**

- \_\_\_\_\_ See Chart
- \_\_\_\_\_ See Chart
- \_\_\_\_\_ See Chart

\*REGULARLY FURNISHED UNLESS OTHERWISE SPECIFIED

REV. \_\_\_\_\_ DATE: 10/14/92 C.N. NO. 68621

DWG. NO. P-13759 PRODUCT NO. Z-1400-77