



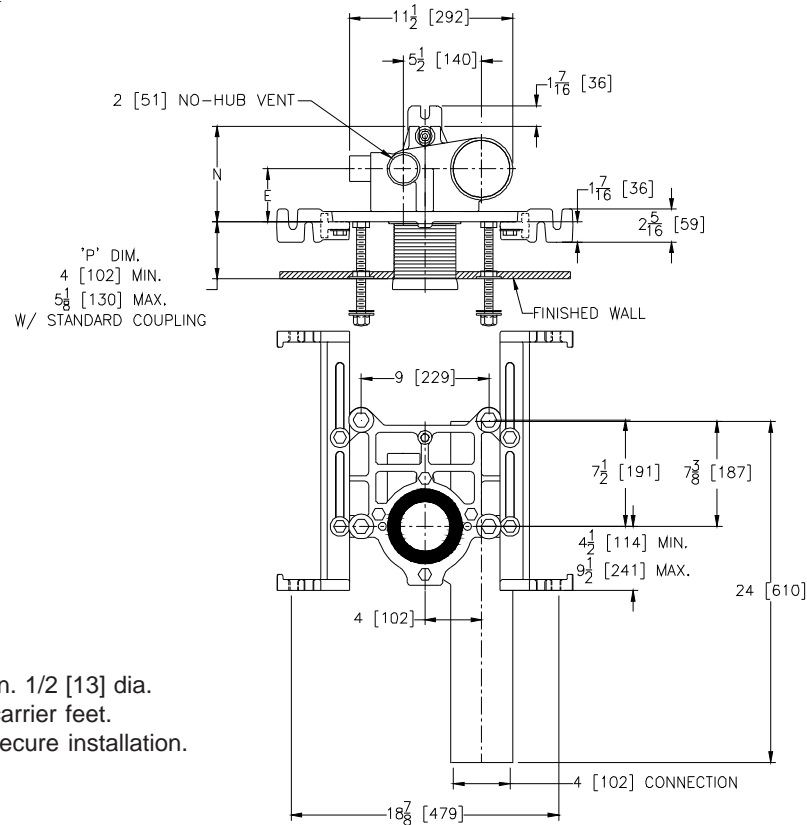
Z1209-95

VERTICAL OFFSET SIPHON JET WATER CLOSET SUPPORT SYSTEM WITH UNI-STRUT FOOT LESS AUXILIARY INLETS

SPECIFICATION SHEET

TAG _____

Dimensional Data (inches and [mm]) are Subject to Manufacturing Tolerances and Change Without Notice



Note:

1. Min. 'P' Dim. Obtainable=2 [51]
2. Feet anchored to floor using min. 1/2 [13] dia. anchors through rear slots on carrier feet.
3. Rear anchor foot required for secure installation.

Product No.	Dimension In Inches		Approx. Wt. Lbs. [kg]
	E	N	
Z1209-95-NL4/NR4	3-3/4 [95]	6-3/4 [171]	67 [30]

ENGINEERING SPECIFICATION: ZURN Z1209-95-() Vertical Offset Siphon Jet Water Closet "Rigid System" with () size No-Hub connections and 2 [51] vent. Complete with Dura-Coated cast iron main fitting less auxiliary inlet housings, pre fab uni-strut foot supports, adjustable faceplate, corrosion resistant adjustable ABS coupling with integral test cap, fixture bolts, trim, and stud protectors. Rear anchor tie down, and bonded "Neo-Seal" gasket.

PRODUCT/DEFINITION

- ___ Z1209-95-NL4 4 [102] No-Hub Stack, Left Hand Offset Inlet, 2 [51] Left Hand Vent
- ___ Z1209-95-NR4 4 [102] No-Hub Stack, Right Hand Offset Inlet, 2 [51] Right Hand Vent

PREFIXES

- ___ Z D.C.C.I. System with Zurn "ZZ" Adjustable Coupling
- ___ ZQ D.C.C.I. System with NPT Inlet, Non-Adjustable Coupling

SUFFIXES

- ___ -A Auxiliary Support Assembly (For P-Dim. greater than 18 [457])
- ___ -B Blowout Type Fixture Support
- ___ -CC Cast Iron Coupling (6 [152] to 12 [305])
- ___ -CL Coupling Length Greater than 12 [305] (Specify length Required)
- ___ -F Floor Mounted, Back Outlet Fixture Support
- ___ -G Galvanized Cast Iron
- ___ -M Auxiliary Foot Support (For P-Dim. 10 [254] to 18 [457])
- ___ -VP Vandal Proof Trim
- ___ -X3 3 [76] Carrier Foot Extension Assembly
- ___ -X4 4 [102] Carrier Foot Extension Assembly
- ___ -29 Mechanical Test Cap Assembly
- ___ -45 Finishing Frame for Siphon Jet System
- ___ -50 Flush Valve Supply Support for water closet
- ___ -61 Adjusting Wrench for "ZZ" Coupling

*REGULARLY FURNISHED UNLESS OTHERWISE SPECIFIED

REV. A	DATE: 12/08/11	C.N. NO. 122516
DWG. NO. 305743 PRODUCT NO. Z1209-95		