



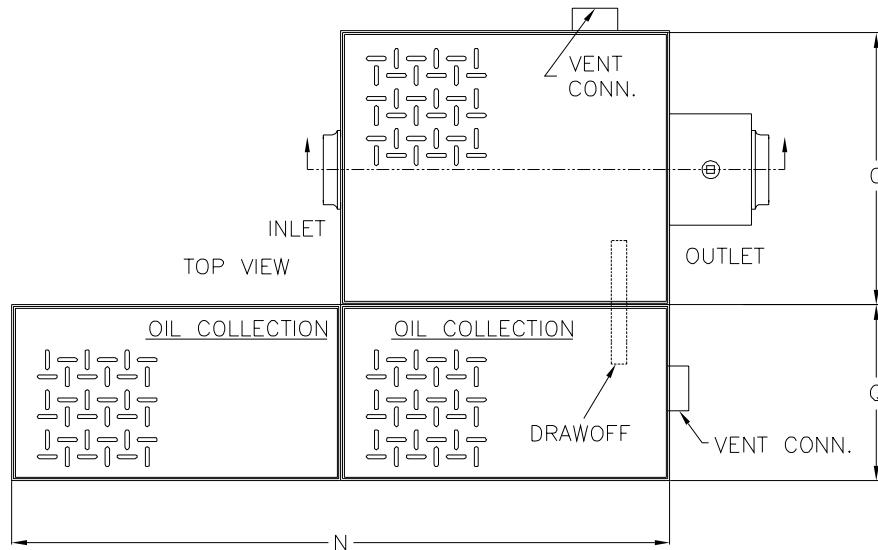
Z1188-149

SPECIFICATION SHEET

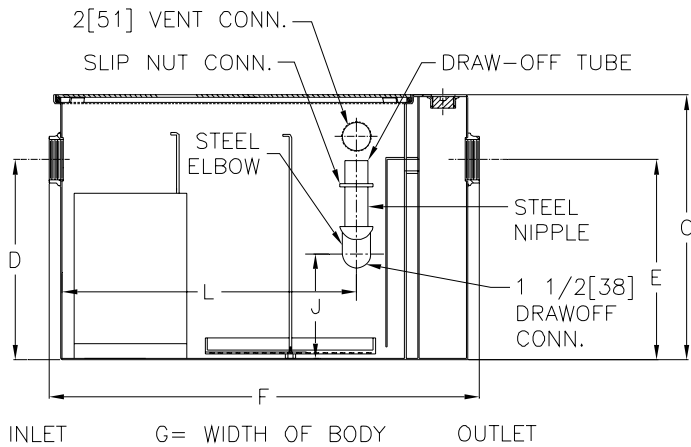
150 GPM [568LPM] OIL INTERCEPTOR WITH 500 GALLON [1893] INTEGRAL STORAGE TANK

TAG _____

Dimensional Data (inches or [mm]) are Subject to Manufacturing Tolerances and Change Without Notice



R = DEPTH OF STORAGE TANK
G = WIDTH OF BODY



Flow Rate GPM [L] Min.	Oil Storage Tank Cap. Gal. [L]	No. of Covers	
		Trap	Tank
150[568]	500[1893]	2	2

Flow Rate GPM [L] Min	Inlet/Outlet Size	Water Capacity Gal. [L]	App. Wt. Lbs. [Kg]	Dimensions In Inches								
				C	D/E	F	G	J	L	N	Q	R
150[568]	4[102]	190[719]	1730[785]	303/4[781]	251/4[641]	56[1422]	415/8[1057]	131/8[333]	437/8[1114]	67[1702]	46[1168]	581/2[813]

ENGINEERING SPECIFICATION: ZURN Z1188-149 Large capacity Acid Resistant Coated interior and exterior fabricated steel oil interceptor with bronze cleanout plug and visible double wall trap seal, removable combination pressure equalizing/flow diffusing baffle and sediment bucket, horizontal baffle, adjustable oil drawoff and vent connections. Secured gasketed non-skid cover complete with flow control fitting and 500 gallon (1893L) integral storage tank. Regularly furnished with inlet and outlet in high position.

OPTIONS (Check/specify appropriate options)

PREFIXES

___ **Z** Acid Resistant Coated Fabricated Steel*

SUFFIXES

___ **-E** Acid Resistant Coated interior and exterior fabricated steel extension section. (Specify 'C' Dim. required) for recessed installation.

___ **-HD** Heavy duty traffic cover rated at 10,000 lbs [4536] kg. maximum safe live load.

___ **-K** Anchor flange 1 3/4 [44] down from top and 2 [51] wide.

___ **-KC** Anchor flange 1 3/4 [44] down from top and 2 [51] wide with clamp collar.

REV. DATE: 4/30/07 C.N. NO. 96539

DWG. NO. P-15415 PRODUCT NO. Z1188-149

*REGULARLY FURNISHED UNLESS OTHERWISE SPECIFIED

ZURN INDUSTRIES, LLC. ♦ SPECIFICATION DRAINAGE OPERATION ♦ 1801 Pittsburgh Ave. ♦ Erie, PA 16514

Phone: 814/455-0921 ♦ Fax: 814/454-7929 ♦ World Wide Web: www.zurn.com

In Canada: ZURN INDUSTRIES LIMITED ♦ 3544 Nashua Drive ♦ Mississauga, Ontario L4V1L2 ♦ Phone: 905/405-8272 Fax: 905/405-1292