



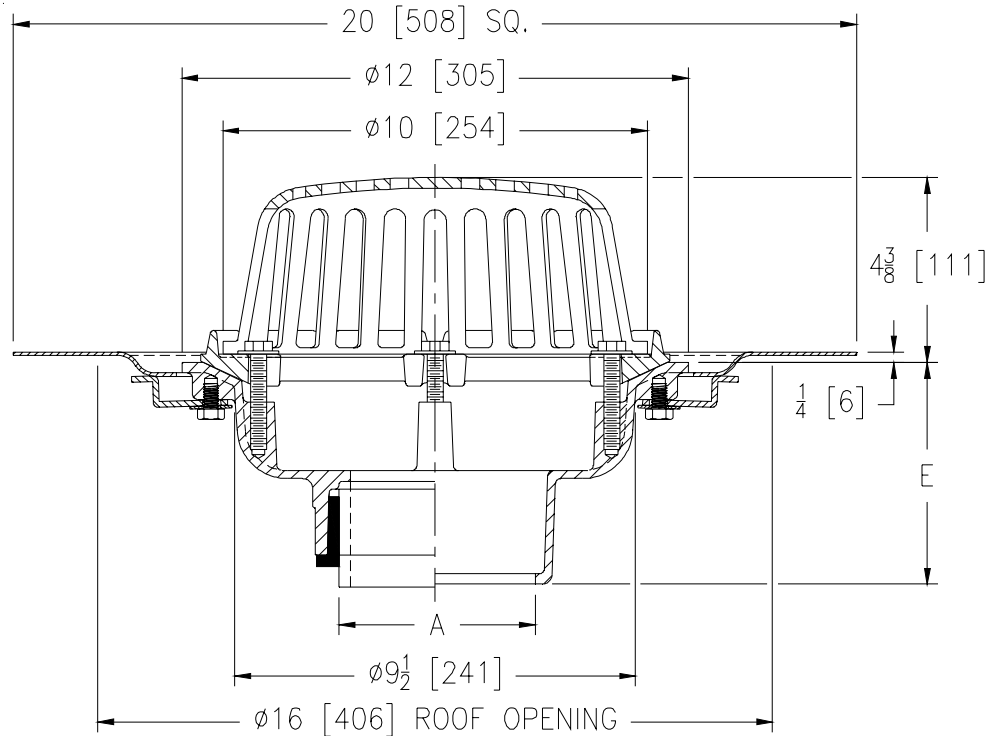
Z121-111

SPECIFICATION SHEET

Ø12 [305] ROOF DRAIN LOW SILHOUETTE DOME W/ ATTACHED ROOF SUMP RECEIVER

TAG _____

Dimensional Data (inches and [mm]) are Subject to Manufacturing Tolerances and Change Without Notice



A Pipe Size In.	Approx. Wt. Lbs. [kg]	Dome Open Area Sq. In. [cm ²]
2 thru 6 [51 thru 152]	22 [10]	78 [503]

ENGINEERING SPECIFICATION: ZURN Z121-111
 12 [305] Diameter roof drain. Dura-Coated cast iron body with combination membrane flashing clamp/gravel guard, low silhouette cast iron dome, and roof sump receiver with securing clips and hardware.

OPTIONS (Check/specify appropriate options)

PIPE SIZE

- 2 thru 6 [51 thru 152]
- 2 thru 6 [51 thru 152]
- 2 thru 6 [51 thru 152]
- 2-3-4 [51-76-102]

(Specify size/type) **OUTLET**

- _____ IC Inside Caulk
- _____ IP Threaded
- _____ NH No-Hub
- _____ NL Neo-Loc

E BODY HT. DIM.

- 5-1/4 [133]
- 3-3/4 [95]
- 5-1/4 [133]
- 4-5/8 [117]

PREFIXES

- ___ Z D.C.C.I. Body with Dome*
- ___ ZA D.C.C.I. Body with Aluminum Dome
- ___ ZRB D.C.C.I. Body with Plain Bronze Dome

SUFFIXES

- | | |
|---|---|
| ___ -AR Acid Resistant Epoxy Coated Finish | ___ -VP Vandal-Proof Secured Top |
| ___ -BS Bronze Mesh Screen Over Dome | ___ -XJ Vertical Expansion Joint (See Z190) |
| ___ -E 2 [51] High Static Extension (Specify Height) | ___ -84 Stainless Steel Perforated Gravel Guard |
| ___ -FG Flush Grate | ___ -85 Stainless Steel Perforated Extension |
| ___ -G Galvanized Cast Iron | ___ -89 2 [51] High External Water Dam |
| ___ -SC Secondary Clamping Collar | |
| ___ -SS Stainless Steel Mesh Screen Over Dome | |
| ___ -TC Neo-Loc Test Cap Gasket
(2 - 4 [51 - 102] NL Bottom Outlet Only) | |

REV.	DATE: 12/14/10	C.N. NO. 111993
DWG. NO. 303721	PRODUCT NO. Z121-111	

*REGULARLY FURNISHED UNLESS OTHERWISE SPECIFIED