



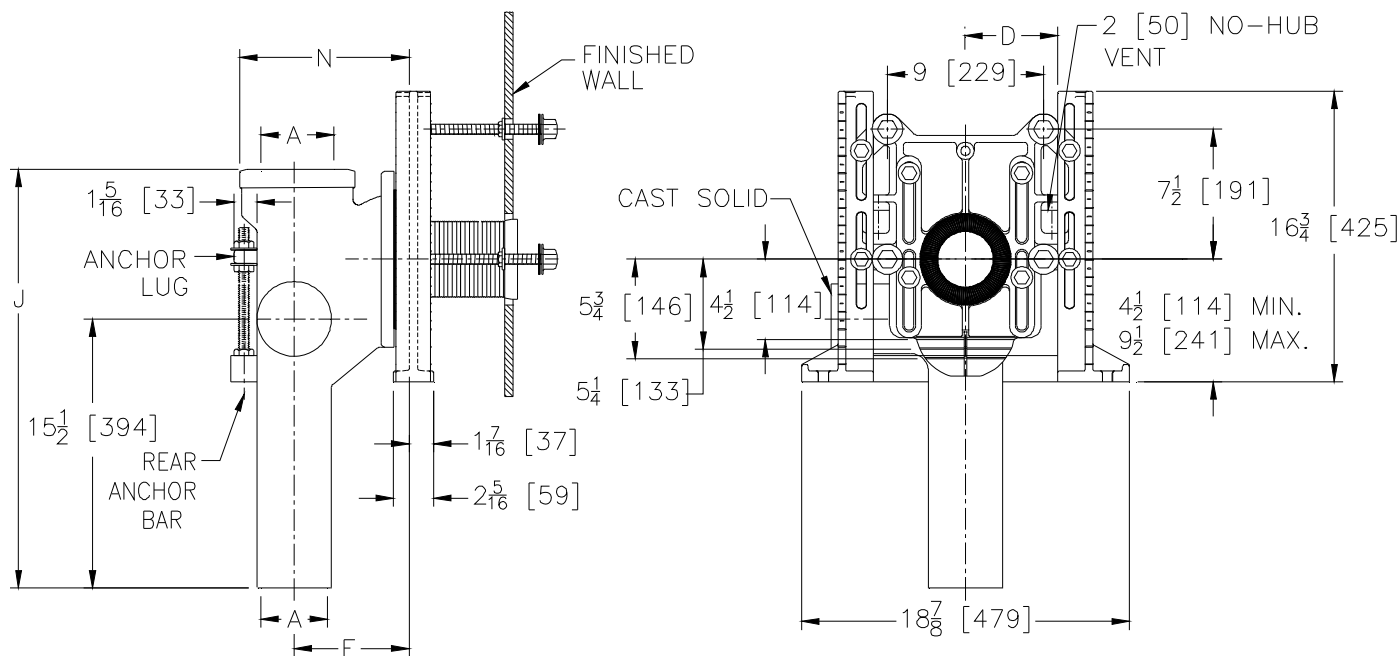
# Z1204-H-X

ADJUSTABLE VERTICAL SIPHON JET 500 LB. [227 KG.] HUB & SPIGOT CARRIER W/HEAVY-DUTY REAR ANCHOR TIE DOWN

SPECIFICATION SHEET

TAG \_\_\_\_\_

Dimensional Data (inches and [ mm ]) are Subject to Manufacturing Tolerances and Change Without Notice



**Note:**

1. Min. 'P' Dim. Obtainable = 2 [51]
2. 2 [51] Hub vent connection regularly furnished on right hand side. Left hand available when specified (Suffix-VL)
3. Auxiliary inlet available right (-JR) or left (-JL) or both sides (-JJ) when specified.
4. Feet bolted to floor using min. 1/2 [13] dia. bolts and back slots on carrier feet.
5. Back anchor bar required for secure installation.

Product No.	Dimensions In Inches					Approx. Wt.Lbs. [kg]
	A	D	E	J	N	
Z1204-H4-X	4 [102]	5 [127]	6-5/8 [168]	24 [610]	9-3/4 [248]	90 [41]
Z1204-H5-X	5 [127]	5-1/2 [140]	6-5/8 [168]	18-1/2 [470]	10-1/8 [258]	95 [43]
Z1204-H6-X	6 [152]	6 [152]	7-1/8 [181]	24 [610]	11-1/8 [283]	100 [45]

**ENGINEERING SPECIFICATION: ZURN Z1204-H ( )-X**

Adjustable, vertical siphon jet 500 lb. [227 kg] water closet "Rigid System" with ( ) size hub & spigot connections and ( ) side inlets. Complete with Dura-Coated cast iron right hand or left hand main fitting, with 2 [51] vent, adjustable gasketed faceplate, universal floor mounted foot supports, corrosion resistant adjustable ABS coupling with integral test cap, fixture bolts, trim, and stud protectors. Heavy-duty rear anchor tie down and bonded "Neo-Seal" gasket.

**PRODUCT/DEFINITION**

\_\_\_\_ Z1204-H ( )-X Hub & Spigot Stack, Single Inlet, 2 [51] Right Hand Vent

**PREFIXES**

- \_\_\_\_ Z D.C.C.I. System with Zurn "ZZ" Adjustable Coupling\*
- \_\_\_\_ ZQ D.C.C.I. System with NPT Faceplate, Non-Adjustable Coupling

**SUFFIXES**

- \_\_\_\_ -A Auxiliary Support Assembly (For P-Dim. Greater than 18 [457])
- \_\_\_\_ -BC Back Cleanout
- \_\_\_\_ -CC Corrosion Resistant Cast Iron Coupling (6 to 12 [152] to [305])
- \_\_\_\_ -G Galvanized Cast Iron
- \_\_\_\_ -JJ Two 2" [51] Auxiliary Inlets
- \_\_\_\_ -JL 2 [51] Left-Hand Auxiliary Inlet
- \_\_\_\_ -JR 2 [51] Right-Hand Auxiliary Inlet
- \_\_\_\_ -VL Left Hand Vent Connection
- \_\_\_\_ -VP Vandal-Proof Trim
- \_\_\_\_ -29 Mechanical Test Cap Assembly (Previously Z1210-29)
- \_\_\_\_ -45 Finishing Frame for Siphon Jet System
- \_\_\_\_ -50 Flush Valve Supply Support for W.C.
- \_\_\_\_ -61 "ZZ" Coupling Wrench

\* Regularly furnished unless otherwise specified.