



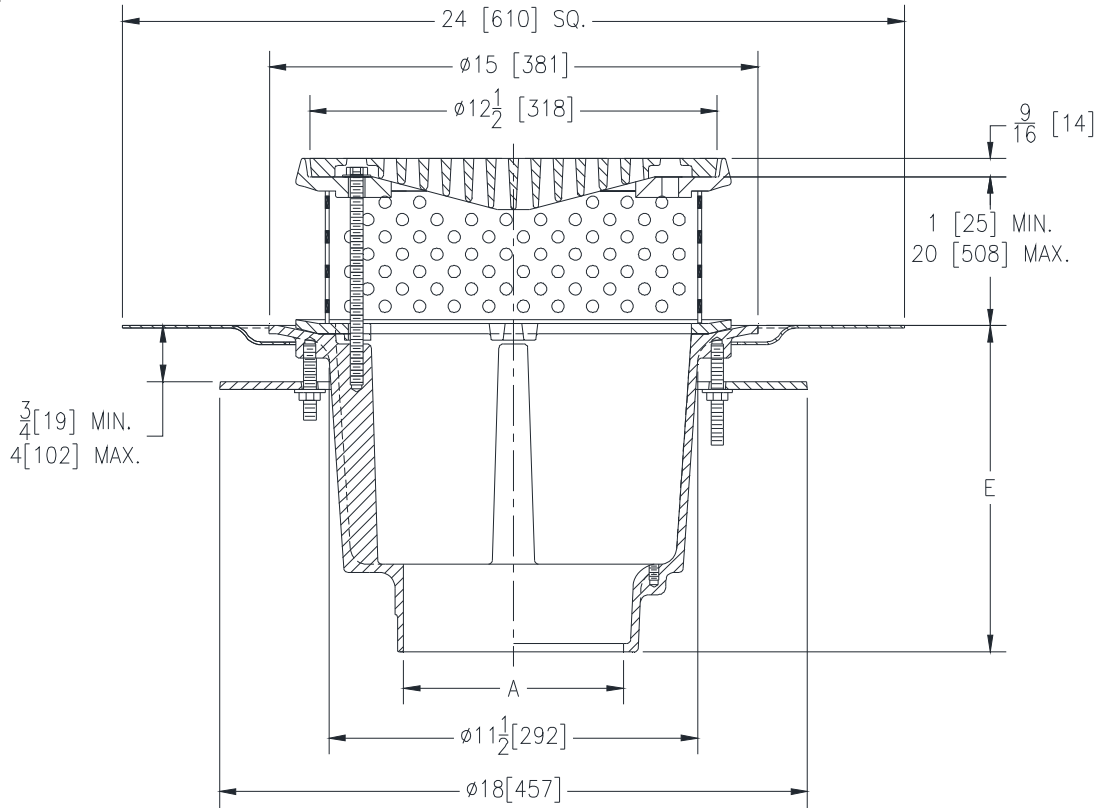
Z104-C-FG-R-85

15 [381] DIAMETER DEEP SUMP ROOF DRAIN WITH FLUSH GRATE, PERFORATED STAINLESS STEEL EXTENSION, ROOF SUMP RECEIVER AND UNDERDECK CLAMP

SPECIFICATION SHEET

TAG _____

Dimensional Data (inches and [mm]) are Subject to Manufacturing Tolerances and Change Without Notice



A- Pipe Size In. [mm]	Approx. Wt. Lbs. [kg]	Grate Open Area Sq. In. [cm ²]
3, 4 [76, 102]	46 [21]	30 [194]
6, 8 [152, 203]		

ENGINEERING SPECIFICATION: ZURN Z104-C-FG-R-85
15" [381mm] Diameter roof drain. Dura-Coated cast iron deep sump body, with combination membrane flashing clamp/gravel guard with flush grate, secondary clamping collar, stainless steel perforated extension, roof sump receiver and underdeck clamp.

OPTIONS (Check/specify appropriate options)

PIPE SIZE

3, 4, 6, 8 [76, 102, 152, 203]
3, 4 [76, 102]

(Specify size/type) **OUTLET**

_____ NH No-Hub
_____ NL Neo-Loc

'E' BODY HT. DIM.

10 [254]
9-5/16 [237]

PREFIXES

___ Z D.C.C.I. Body and Grate

SUFFIXES

- ___ -AR Acid Resistant Epoxy Coated Finish
- ___ -E Static Extension 1 [25] thru 4 [102] (Specify Ht)
- ___ -EA Adjustable Extension Assembly 2-1/8 [54] thru 3-1/2 [89]
- ___ -G Galvanized Cast Iron
- ___ -SC Secondary Clamping Collar
- ___ -VP Vandal Proof Secured Top
- ___ -84 Stainless Steel Perforated Gravel Guard

* Regularly furnished unless otherwise specified.