



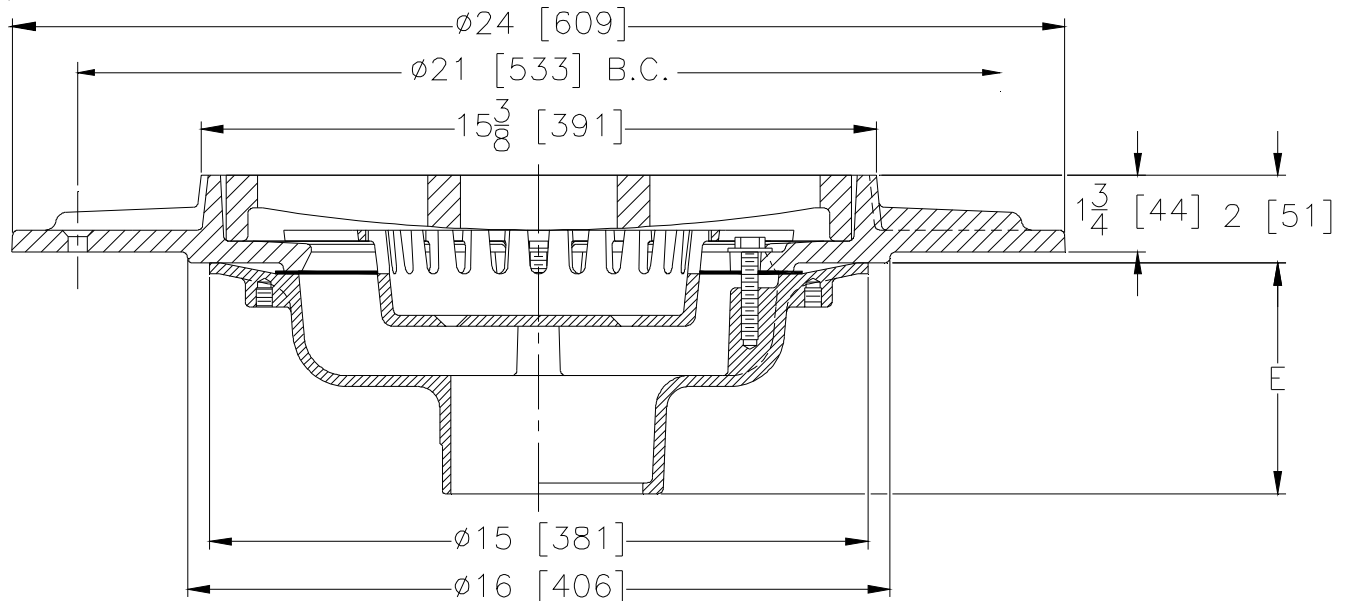
Z536-79

Ø15 [381] PARKING DECK DRAIN W/ Ø24 [610]
SUPPORT FLANGE, SEDIMENT BUCKET & DUCTILE IRON,
HEAVY-DUTY GRATE W/ 61 SQ. IN. [394 CM²] OPEN AREA

SPECIFICATION SHEET

TAG _____

Dimensional Data (inches and [mm]) are Subject to Manufacturing Tolerances and Change Without Notice



A- Pipe Size In.	Approx. Wt. Lbs. [kg]	Grate Open Area Sq. In. [cm ²]
2-3-4-5-6 [51 thru 152]	115 [52]	61 [394]
8-10 [203 - 254]	117 [53]	

ENGINEERING SPECIFICATION: ZURN Z536-79

15" [381] Diameter Parking Deck Drain, Dura-Coated cast iron body with bottom outlet, heavy-duty gasketed drain support flange, with heavy-duty, ductile iron slotted grate and sediment bucket.

OPTIONS (Check/specify appropriate options)

PIPE SIZE

- 2 thru 6, 8, 10 [51 thru 152, 203, 254]
- 2 thru 6, 8, 10 [51 thru 152, 203, 254]
- 2 thru 6, 8, 10 [51 thru 152, 203, 254]
- 2 thru 6, 8, 10 [51 thru 152, 203, 254]
- 2 thru 4 [51 thru 102]

(Specify size/type) **OUTLET**

- ___ IC Inside Caulk
- ___ IG Inside Caulk w/Sealtrol Gskt.
- ___ IP Threaded
- ___ NH No-Hub
- ___ NL Neo-Loc

'E' BODY HT. DIM.

- 5-1/4 [133]
- 5-1/4 [133]
- 3-3/4 [95]
- 5-1/4 [133]
- 4-5/8 [117]

PREFIXES

- ___ Z D.C.C.I. Body and Top*
- ___ ZB D.C.C.I. Body with Polished Bronze Top (Add 3/16 [5] to 2 [51] Dim.)
- ___ ZN D.C.C.I. Body with Polished Nickel Bronze Top (Add 3/16 [5] to 2 [51] Dim.)

SUFFIXES

- ___ -C Underdeck Clamp
- ___ -G Galvanized Cast Iron
- ___ -VP Vandal Proof Secured Top
- ___ -XJ Vertical Expansion Joint (See Z190)

REV. A	DATE: 03/02/12	C.N. NO. 122986
DWG. NO. 309124	PRODUCT NO. Z536-79	

*REGULARLY FURNISHED UNLESS OTHERWISE SPECIFIED