



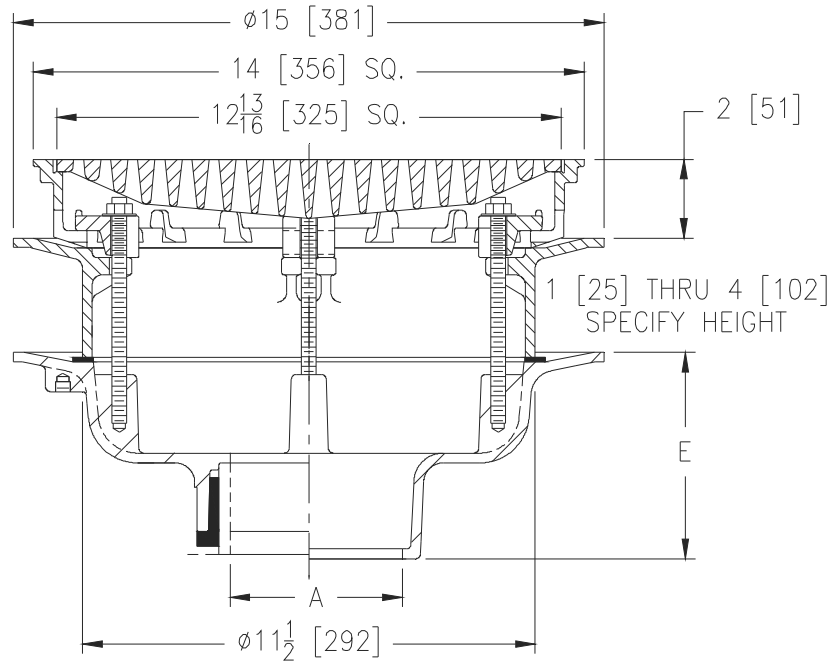
Z150-E

14 [356] SQUARE TOP PROM-DECK DRAIN
W/ STATIC EXTENSION, HEEL PROOF GRATE, AND
ROTATABLE FRAME

SPECIFICATION SHEET

TAG _____

Dimensional Data (inches and [mm]) are Subject to Manufacturing Tolerances and Change Without Notice



A Pipe Size in [mm]	Approx Wt. lbs [kg]	Grate Open Area in ² [cm ²]
2,3,4 [51,76,102]	67 [30]	44 [284]
6 [152]	67 [30]	
8 [203]	69 [31]	

ENGINEERING SPECIFICATION: ZURN Z150-E

14" [356mm] Square top Prom-Deck drain, Dura-Coated cast iron body with rotatable square promenade frame with seepage openings, frame clamps, static extension and heavy-duty heel-proof grate.

OPTIONS (Check/specify appropriate options)

PIPE SIZE

- 2,3,4,6 [51,76,102,152]
- 2,3,4,6, 8 [51,76,102,152,203]
- 2,3,4,6, 8 [51,76,102,152,203]
- 2,3,4 [51,76,102]

(Specify size/type) **OUTLET**

- _____ IC Inside Caulk
- _____ IP Threaded
- _____ NH No-Hub
- _____ NL Neo-Loc

E BODY HT. DIM.

- 5-1/4 [133]
- 3-3/4 [95]
- 5-1/4 [133]
- 4-5/8 [117]

PREFIXES

- _____ Z D.C.C.I. Body with Top*
- _____ ZB D.C.C.I. Body with Polished Bronze Top (Add 3/16 [5] to 2 [51] Dim & 3/8 [10] to 14 [356] Dim.)
- _____ ZN D.C.C.I. Body with Polished Nickel Bronze Top (Add 3/16 [5] to 2 [51] Dim & 3/8 [10] to 14 [356] Dim.)

SUFFIXES

- | | |
|---|--|
| _____ -AR Acid Resistant Epoxy Coated | _____ -R Roof Sump Receiver |
| _____ -C Underdeck Clamp | _____ -S Secondary Strainer |
| _____ -DE Deck Extension (Includes Deck Plate -DP) | _____ -SC Secondary Clamping Collar |
| _____ -DG Duresist Grate | _____ -TC Neo-Loc Test Cap Gasket
(2,3,4 [51,76,102] NL Bottom Outlet Only) |
| _____ -DP Top-Set® Roof Deck Plate
(Replaces both -C and -R) | _____ -TS Top Secured with Slotted Screws |
| _____ -DR Top-Set® Drain Riser | _____ -VP Vandal Proof Secured Top |
| _____ -DT Decorative Polished Top (ZN and ZB Only) | _____ -XJ Vertical Expansion Joint (See Z190) |
| _____ -EA Adjustable Extension Assembly
2-1/8 [54] thru 3-1/2 [89] | _____ -Y Sediment Bucket |
| _____ -EB Top-Set® Adjustable Extension Assembly | _____ -85 Stainless Steel Perforated Extension |
| _____ -G Galvanized Cast Iron | _____ -90 90° Threaded Side Outlet Body |

* Regularly furnished unless otherwise specified.