

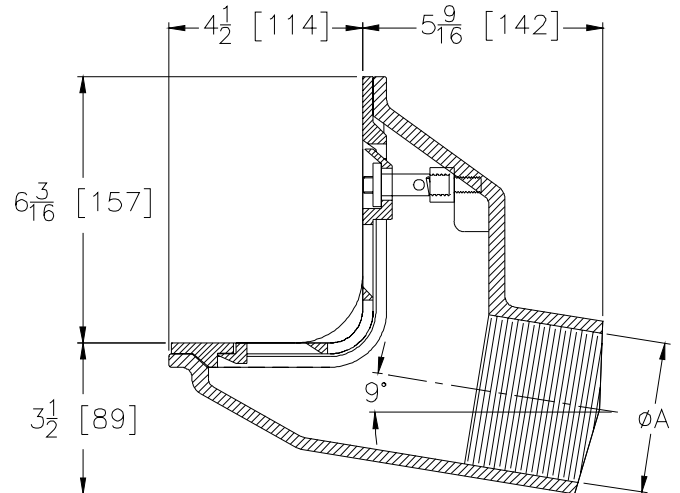
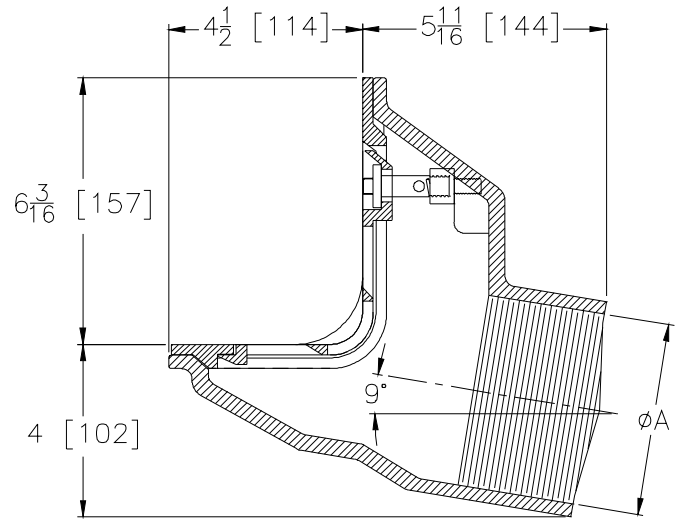
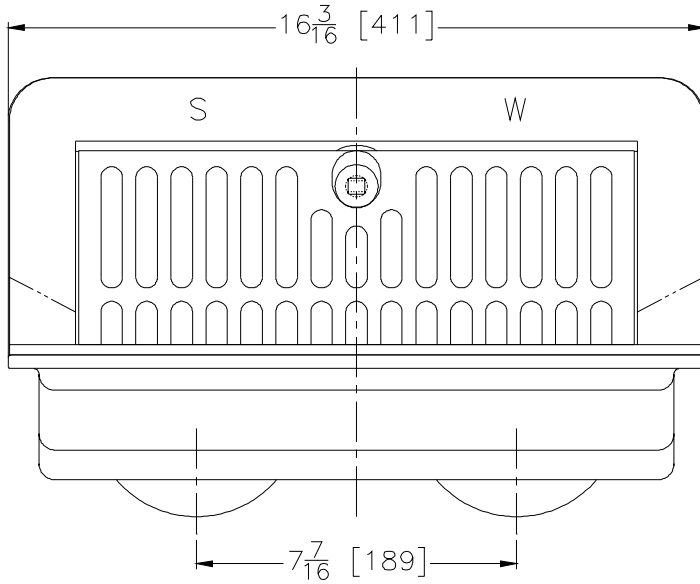


Z189-77 SCUPPER DRAIN WITH DOUBLE OUTLET

SPECIFICATION SHEET

TAG _____

Dimensional Data (inches and [mm]) are Subject to Manufacturing Tolerances and Change Without Notice



A Pipe Size In.	Approx. Wt. Lbs. [Kg.]	Grate Open Area Sq. In. [Cm.]
3 [76]	25 [11]	40 [255]
4 [102]		

ENGINEERING SPECIFICATION: ZURN Z189-77 Scupper drain, Dura-Coated cast iron body with 9° double outlet and flush type strainer with locking device combination frame and membrane flashing clamp and (1) one brass closure plug.

OPTIONS (Check/specify appropriate options)

PIPE SIZE (Specify size)

3, 4 [76, 102]

OUTLET (Specify type)

_____ IP Threaded

PREFIXES

- _____ **Z** D.C.C.I. Body with Grate*
- _____ **ZB** D.C.C.I. Body with Polished Grate
- _____ **ZN** D.C.C.I. Body with Polished Nickel Bronze Grate

SUFFIXES

- _____ **-AR** Acid Resisting Epoxy Coated Finish
- _____ **-G** Galvanized Cast Iron

*REGULARLY FURNISHED UNLESS OTHERWISE SPECIFIED

REV. B	DATE: 05/12/04	C.N. NO. 92191
DWG. NO. P-13832	PRODUCT NO. Z189-77	