



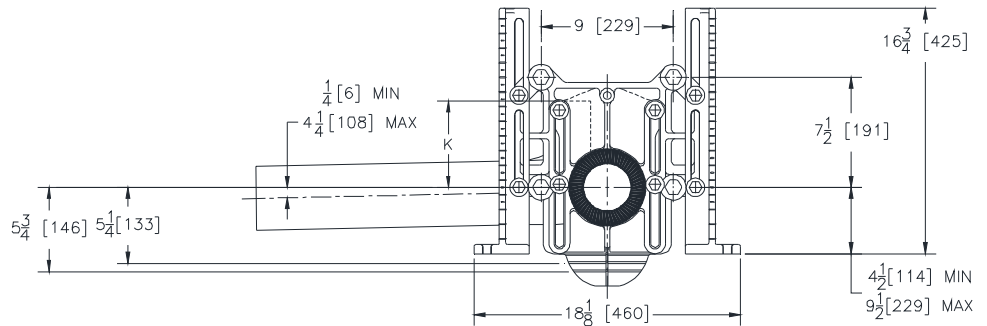
Z1203-136

40 [1016] ADJUSTABLE HORIZONTAL BACK-TO-BACK SIPHONJET HUB & SPIGOT W/ ELONGATED FITTING

SPECIFICATION SHEET

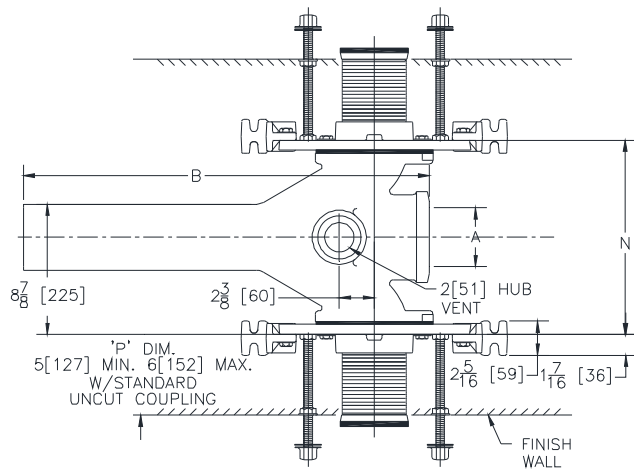
TAG _____

Dimensional Data (inches and [mm]) are Subject to Manufacturing Tolerances and Change Without Notice



Note:

1. Min. 'P' Dim. Obtainable with uncut coupling=2[51]
2. Feet bolted to floor using min. 1/2[13] dia. bolts and back slots on carrier feet.



Product No.	Dimensions in Inches [mm]				Approx. Wt. Lbs. [kg]
	A	B	K	N	
Z1203-HD4-136	4[102]	40[1016]	6-1/8 [156]	13-3/8 [340]	136 [62]

ENGINEERING SPECIFICATION: ZURN Z1203-136

Adjustable, horizontal siphon jet water closet "Rigid System" with 4" [102mm] Hub & Spigot connections. Complete with Dura-Coated cast iron elongated fitting, with 2" [51 mm] vent, adjustable gasketed face plate, universal floor mounted foot supports, corrosion resistant adjustable polymer coupling with integral test cap, fixture bolts, trim, stud protectors, and bonded "Neo-Seal" gasket.

PRODUCT/DEFINITION

Z1203-HD4-136 D.C.C.I. Elongated Fitting System with Zurn "ZZ" Adjustable Coupling*

PREFIXES

- ___ Z D.C.C.I. Elongated Fitting System with Zurn "ZZ" Adjustable Coupling*
- ___ ZQ D.C.C.I. Elongated Fitting System with NPT Face Plate, Non-Adjustable Coupling

SUFFIXES

- ___ -A Auxiliary Support Assembly (For 'P' Dim. Greater than 18 [457])
- ___ -B Blowout Type Fixture Support
- ___ -CC Corrosion Resistant Cast Iron Coupling (6 [151] to 12 [305])
- ___ -CL Coupling Length Greater Than 12 [305] (Specified Length)
- ___ -CV Closed Vent (Use only when local codes allow)
- ___ -F Floor Mounted, Back Outlet Fixture Support
- ___ -G Galvanized Cast Iron
- ___ -M Auxiliary Foot Support (for 'P' Dim. 10 [254] - 18 [457])
- ___ -PF Pre-Fab Foot
- ___ -PS Pre-Fab Slotted Foot
- ___ -RYK Unistrut Pre-Fab Foot
- ___ -VP Vandal-Proof Trim
- ___ -X3 3 [76] Carrier Foot Extension Assembly
- ___ -X4 4 [102] Carrier Foot Extension Assembly
- ___ -45 Finishing Frame for Siphon Jet System (for Blowout System specify -45-B)
- ___ -50 Flush Valve Supply Support for Water Closets

* Regularly furnished unless otherwise specified.