



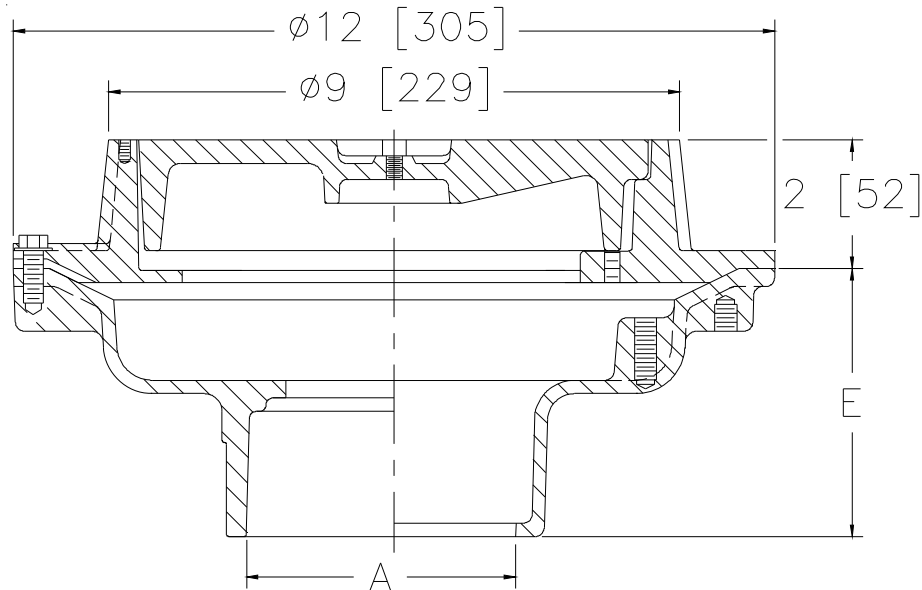
# Z508-SC

9 [229] DIAMETER HEAVY-DUTY DRAIN  
W/ SOLID COVER W/ LIFT HANDLE

SPECIFICATION SHEET

TAG \_\_\_\_\_

Dimensional Data (inches and [ mm ]) are Subject to Manufacturing Tolerances and Change Without Notice



A- Pipe Size In.[mm]	Approx. Wt. Lbs. [kg]
2,3,4 [51,76,102]	21 [10]
6 [152]	25 [11]

**ENGINEERING SPECIFICATION: ZURN Z508-SC**

9" [229mm] Diameter top drain, Dura-Coated cast iron body with bottom outlet, seepage pan and combination membrane flashing clamp and frame for heavy-duty solid cover with lift handle.

**OPTIONS** (Check/specify appropriate options)

PIPE SIZE	(Specify size/type) OUTLET	'E' BODY HT. DIM.
4 [102]	___ IC Inside Caulk	3-3/4 [95]
4 [102]	___ IG Inside Gasket	3-3/4 [95]
4 [102]	___ IP Threaded	2-3/4 [70]
2, 3, 4 [51, 76, 102]	___ NH No-Hub	4-3/4 [121]
6 [152]	___ NH No-Hub	5-1/4 [133]
2, 3, 4 [51, 76, 102]	___ NL Neo-Loc	3-9/16 [90]

**PREFIXES**

- \_\_\_ Z D.C.C.I. Body and Cover\*
- \_\_\_ ZB D.C.C.I. Body with Polished Bronze Cover (Add 3/16 [5] to 2 [51] Dim. and 3/4 [20] to 9 [229] Dim.)
- \_\_\_ ZN D.C.C.I. Body with Polished Nickel Bronze Cover (Add 3/16 [5] to 2 [51] Dim. and 3/4 [20] to 9 [229] Dim.)

**SUFFIXES**

- \_\_\_ -AR Acid Resisting Epoxy Coated Cast Iron
- \_\_\_ -G Galvanized Cast Iron
- \_\_\_ -P TrapPrimerConnection
- \_\_\_ -S Secondary Strainer
- \_\_\_ -TC Neo-Loc Test Cap Gasket  
(2,3,4 [51,76,102] NL Bottom Outlet Only)
- \_\_\_ -TS Top Secured With Slotted Screws
- \_\_\_ -VP Vandal Proof Secured Top
- \_\_\_ -90 90° Threaded Side Outlet Body  
(4 [102] IP Only)

\* Regularly furnished unless otherwise specified.