



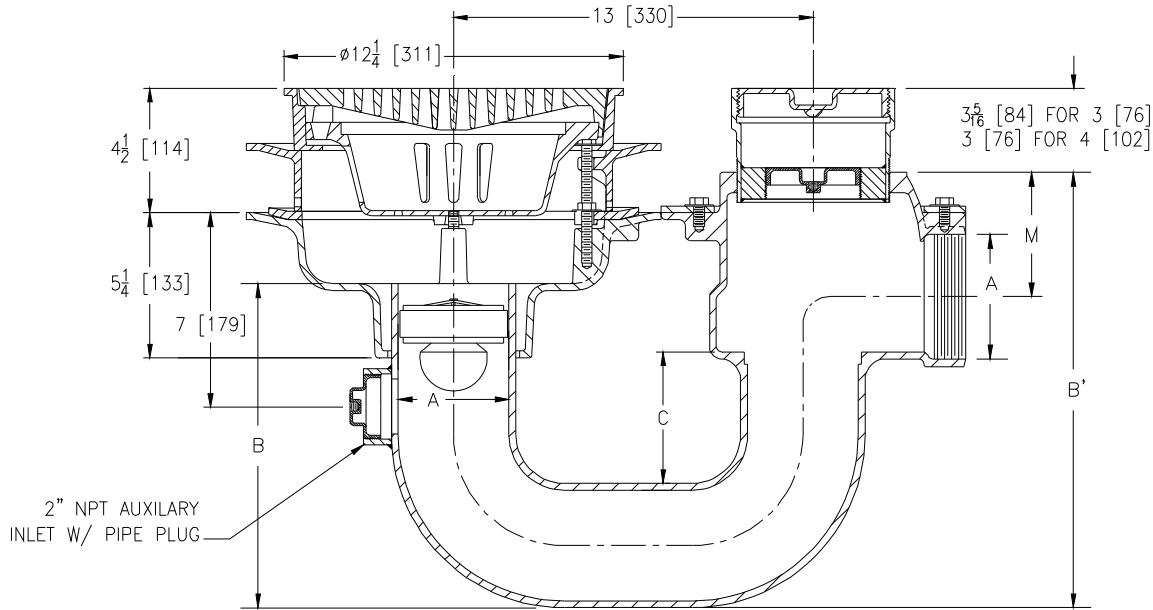
Z761-78

12 1/4 [311] HEAVY-DUTY DRAIN W/ INTEGRAL TRAP, 2 [51] AUXILIARY INLET, AND FLOOD GUARD

SPECIFICATION SHEET

TAG _____

Dimensional Data (inches and [mm]) are Subject to Manufacturing Tolerances and Change Without Notice



A Pipe Size	Dimensions In Inches				Approx. Wt. Lbs. [kg]	Grate Open Area Sq. In. [cm ²]
	B	B'	C	M		
3 [76]	12 1/2 [318]	13 1/2 [343]	4 3/4 [121]	4 [102]	140 [64]	30 [194]
4 [102]	9 1/4 [235]	15 3/4 [400]	5 [127]	4 1/2 [114]	145 [66]	

ENGINEERING SPECIFICATION Z761-78 12 1/4 [311] Diameter top drain, Dura-Coated cast iron body with bottom outlet, seepage pan and combination membrane flashing clamp and frame for heavy-duty deep flange slotted grate with suspended sediment bucket, complete with threaded side outlet, Flood Guard back water valve, deep seal trap with seepage pan, adjustable cleanout with bronze plug, and 2[51] threaded auxiliary inlet with bronze plug.

OPTIONS (Check/specify appropriate options)

PIPE SIZE (Specify size/type) **OUTLET**
 3, 4 [76, 102] _____ IP Threaded

PREFIXES

- ___ Z D.C.C.I. Body and Grate*
- ___ ZB D.C.C.I. Body with Polished Bronze Grate
(Add 3/16 [5] to 4 1/2 [114] Dim. & 3/16 [5] to 12 1/4 [311] Dim.)
- ___ ZN D.C.C.I. Body with Polished Nickel Bronze Grate
(Add 3/16 [5] to 4 1/2 [114] Dim. & 3/16 [5] to 12 1/4 [311] Dim.)

SUFFIXES

- ___ -C Clamp Collar
- ___ -DG Duresist Grate
- ___ -G Galvanized Cast Iron
- ___ -P Trap Primer Connection
- ___ -TS Top Secured With Slotted Screws
- ___ -VP Vandal-Proof Secured Top

REV.	DATE: 12/03/10	C.N. NO. 120617
DWG. NO. 303624		PRODUCT NO. Z761-78

*REGULARLY FURNISHED UNLESS OTHERWISE SPECIFIED