

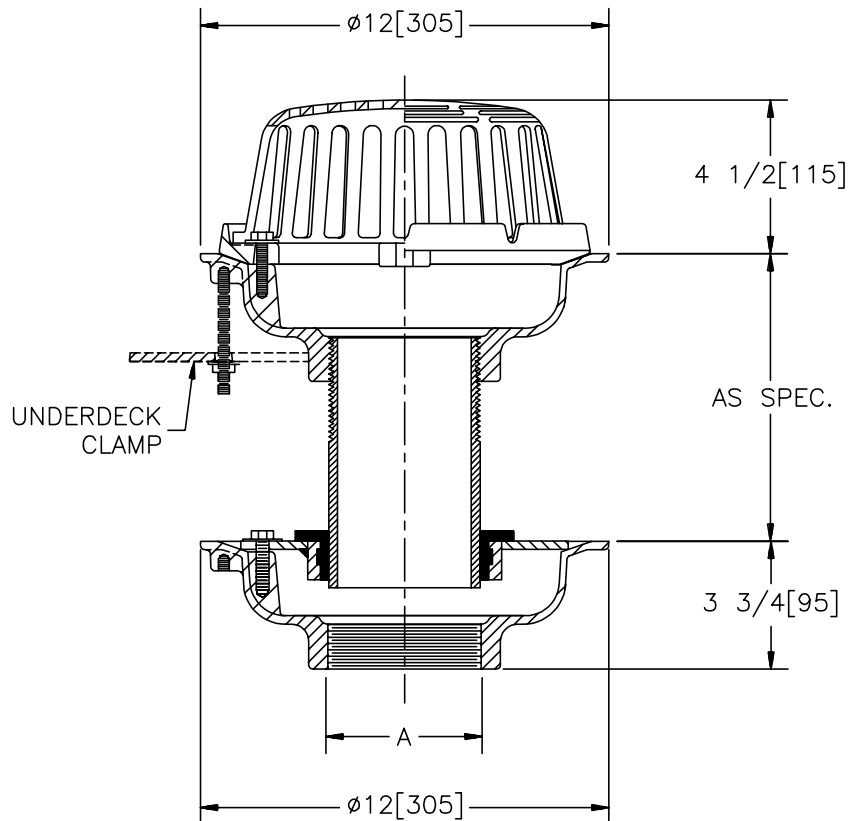


Z-121-96
12" [305] DIAMETER ROOF DRAIN
LOW SILHOUETTE DOME

SPECIFICATION SHEET

TAG _____

Dimensional Data (inches and [mm]) are Subject to Manufacturing Tolerances and Change Without Notice



A- Pipe Size In.	Approx. Wt. Lbs. [kg]	Dome Open Area Sq. In. [cm ²]
2-3-4-5-6 [50-75-100-125-150]	45 [20]	78 [503]

ENGINEERING SPECIFICATION: ZURN Z-121-96
 12 [305] Diameter roof drain. Dura-Coated cast iron upper and lower bodies with combination membrane flashing clamp/gravel guard, low silhouette cast iron dome, static extension, (lower body) clamp collar, neoprene flex gasket and isolation nipple.

OPTIONS (Check/specify appropriate options)

PIPE SIZE	(Specify size/type)	OUTLET	E BODY HT. DIM.
2,3,4,6 [50,75,100,150]	_____ IP	Threaded	3 3/4 [95]

PREFIXES

- ___ Z- D.C.C.I. Body with Dome*
- ___ ZA- D.C.C.I. Body with Aluminum Dome
- ___ ZRB- D.C.C.I. Body with Plain Bronze Dome

SUFFIXES

- | | |
|---|---|
| ___ -AR Acid Resistant Epoxy Coated Finish | ___ -VP Vandal Proof Secured Top |
| ___ -BS Bronze Mesh Screen Over Dome | ___ -XJ Vertical Expansion Joint (See Z-190) |
| ___ -C Underdeck Clamp | ___ -84 Stainless Steel Perforated Gravel Guard |
| ___ -E Static Extension 1 [25] thru 4 [102] (Specify Ht.) | ___ -85 Stainless Steel Perforated Extension |
| ___ -G Galvanized Cast Iron | ___ -89 2 [51] High External Water Dam |
| ___ -R Roof Sump Receiver | ___ -90 90° Threaded Side Outlet Body |
| ___ -SC Secondary Clamping Collar | |
| ___ -SS Stainless Steel Mesh Screen Over Dome | |

REV.	DATE: 08/28/95	C.N. NO. 72671
DWG. NO. P-14228 PRODUCT NO. Z-121-96		

*REGULARLY FURNISHED UNLESS OTHERWISE SPECIFIED