



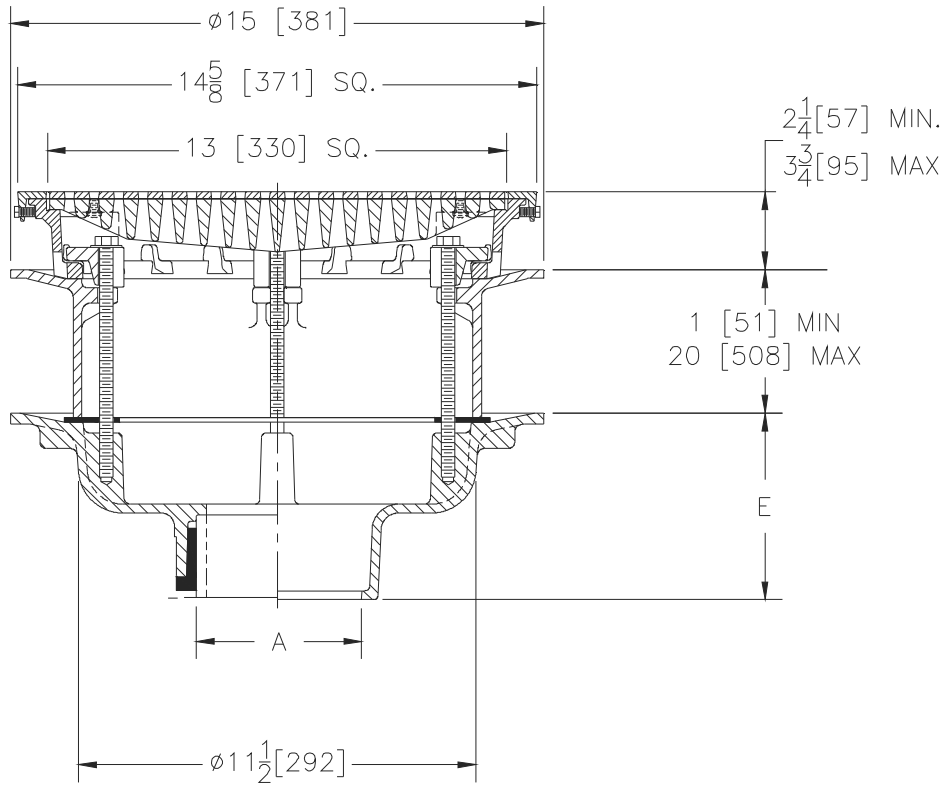
ZB150-EA-VP-85

SPECIFICATION SHEET

14-5/8 [371] SQUARE TOP PROM-DECK DRAIN
W/ ADJUSTABLE EXTENSION, VANDAL PROOF SECURED
BRONZE GRATE, AND PERFORATED EXTENSION

TAG _____

Dimensional Data (inches and [mm]) are Subject to Manufacturing Tolerances and Change Without Notice



A Pipe Size in [mm]	Approx Wt. lbs [kg]	Grate Open Area in ² [cm ²]
2,3,4 [51,76,102]	53 [24]	44 [284]
6 [152]		
8 [203]	54 [24]	

ENGINEERING SPECIFICATION: ZURN ZB150-EA-VP-85

14-5/8" [371mm] Square Top Prom-Deck drain, Dura-Coated cast iron body with promenade frame and heavy duty heel proof grate with combination membrane flashing clamp/gravel guard, adjustable extension with o-ring, perforated extension, secondary clamp collar and vandal proof secured polished bronze top.

OPTIONS (Check/specify appropriate options)

PIPE SIZE

- 2,3,4,6 [51,76,102,152]
- 2,3,4,6, 8 [51,76,102,152,203]
- 2,3,4,6, 8 [51,76,102,152,203]
- 2,3,4 [51,76,102]

(Specify size/type) **OUTLET**

- _____ IC Inside Caulk
- _____ IP Threaded
- _____ NH No-Hub
- _____ NL Neo-Loc

E BODY HT. DIM.

- 5-1/4 [133]
- 3-3/4 [95]
- 5-1/4 [133]
- 4-5/8 [117]

PREFIXES

- _____ ZB D.C.C.I. Body with Polished Bronze Top*
- _____ ZN D.C.C.I. Body with Polished Nickel Bronze Top

SUFFIXES

- _____ -AR Acid Resistant Epoxy Coated
- _____ -C Underdeck Clamp
- _____ -DE Deck Extension (Includes Deck Plate -DP)
- _____ -DG Duresist Grate
- _____ -DR Top-Set® Drain Riser
- _____ -DT Decorative Polished Top (ZN and ZB Only)
- _____ -E Static Extension 1 [25] thru 4 [102] (Specify Ht.)
- _____ -EB Top-Set Adjustable Extension Assembly
- _____ -G Galvanized Cast Iron
- _____ -R Roof Sump Receiver
- _____ -S Secondary Strainer
- _____ -TC Neo-Loc Test Cap Gasket (2,3,4 [51,76,102] NL Bottom Outlet Only)
- _____ -XJ Vertical Expansion Joint (See Z190)
- _____ -Y Sediment Bucket
- _____ -90 90° Threaded Side Outlet Body (2,3,4,6 [51,76,102,152])

* Regularly furnished unless otherwise specified.