



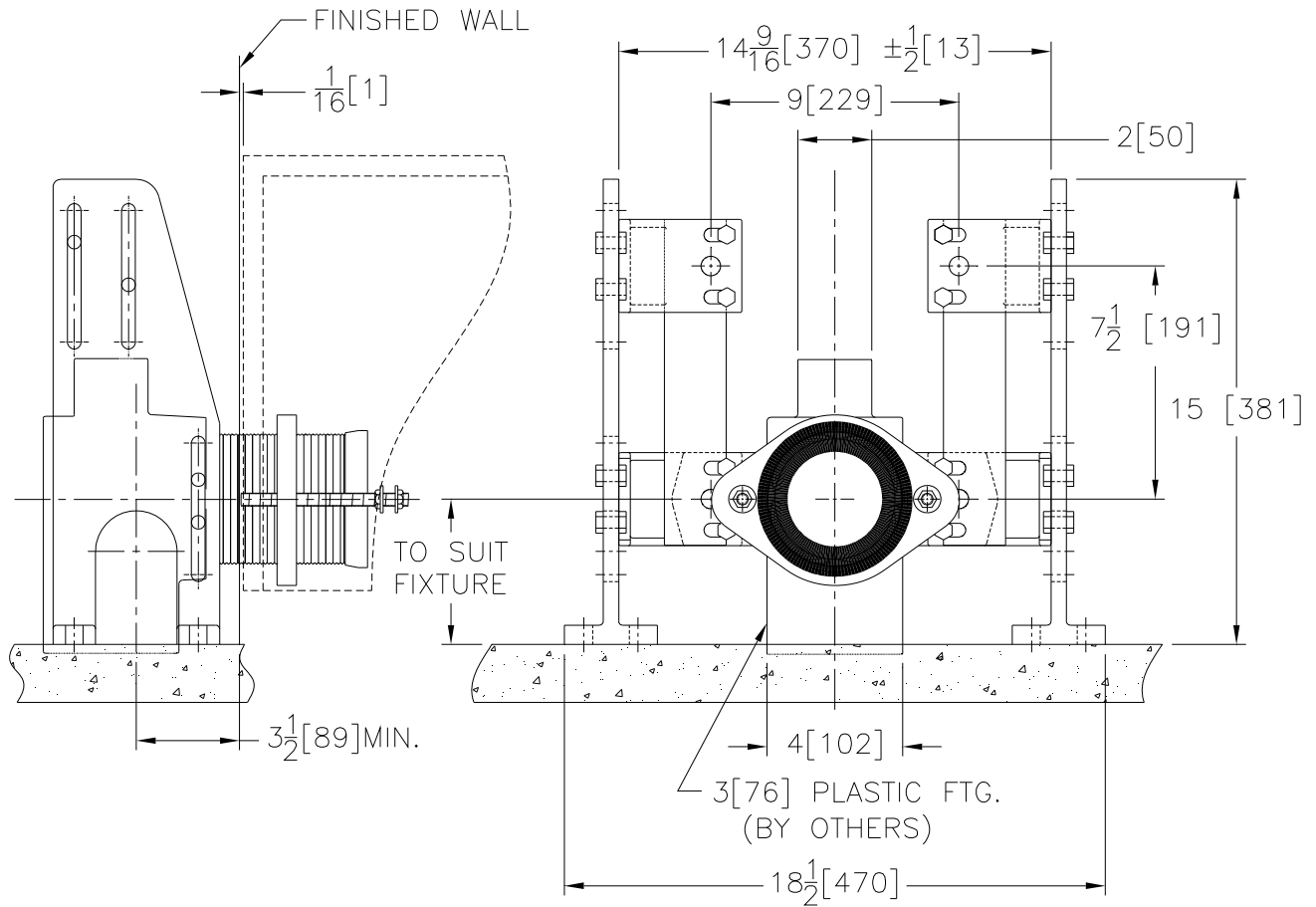
Z1280-79

SPECIFICATION SHEET

RESIDENTIAL WATER CLOSET SUPPORT SYSTEM W/ FLOOR MOUNT, BACK OUTLET FIXTURE SUPPORT

TAG _____

Dimensional Data (inches and [mm]) are Subject to Manufacturing Tolerances and Change Without Notice



Product Number	Approx. Wt. Lbs. [kg]
Z1280-79	40 [18]

ENGINEERING SPECIFICATION: ZURN Z1280-79

4 [102] Residential water closet support system. Complete with Dura-Coated cast iron 4 [102] No-Hub fitting with 2 [51] Vent, support brackets, foot support system and coupling support, corrosion resistant ABS coupling, floor mount, back outlet, fixture bolts and trim, and bonded "Neo-Seal" gasket.

PREFIXES

___ Z Dura-Coated Plate System*

SUFFIXES

___ -CL Coupling Length Greater Than Standard (Length Must be Specified)
___ -HT Hanger Type Closet Adapter

*REGULARLY FURNISHED UNLESS OTHERWISE SPECIFIED

REV.	DATE: 08/20/08	C.N. NO. 98998
DWG. NO. P-15590	PRODUCT NO. Z1280-79	