



Z624-120

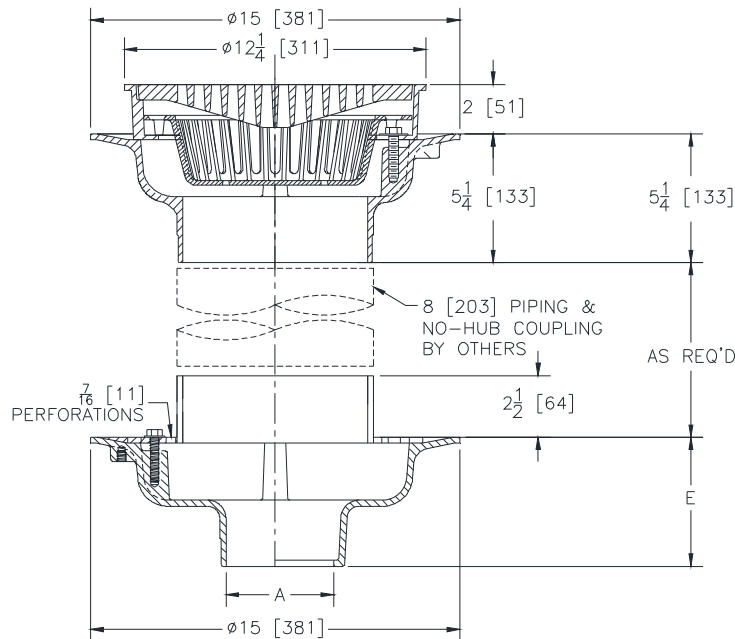
ISOLATION DECK DRAIN

W/ Z541 12 [305] HEAVY-DUTY DRAIN

SPECIFICATION SHEET

TAG _____

Dimensional Data (inches and [mm]) are Subject to Manufacturing Tolerances and Change Without Notice



A Pipe Size In. [mm]	Approx. Wt. Lbs. [kg]	Grate Open Area Sq. In. [cm ²]
2,3,4 [51,76,102]	71 [32]	30 [193]
5,6,8 [127,152,203]		

ENGINEERING SPECIFICATION: ZURN Z624-120

Dura-Coated cast iron upper and lower bodies. Lower body complete with perforated clamp collar and 8" [203mm] No-Hub standpipe. Upper body complete with 8" [203mm] No-Hub bottom outlet, seepage pan and combination membrane flashing clamp and frame for anti-tilt heavy-duty slotted grate with suspended polypropylene sediment bucket.

OPTIONS (Check/specify appropriate options)

PIPE SIZE

2,3,4,5,6,8 [51,76,102,127,152,203]
 2,3,4,6,8 [51,76,102,152,203]
 2,3,4,5,6,8 [51,76,102,127,152,203]
 2,3,4,5,6,8 [51,76,102,127,152,203]
 2,3,4 [51,76,102]

(Specify size/type) OUTLET

___ IC Inside Caulk
 ___ IG Inside Caulk w/Sealtrol Gskt.
 ___ IP Threaded
 ___ NH No-Hub
 ___ NL Neo-Loc

'E' BODY HT. DIM.

5-1/4 [133]
 5-1/4 [133]
 3-3/4 [95]
 5-1/4 [133]
 4-5/8 [117]

PREFIXES

___ ZB D.C.C.I Body w/ Polished Bronze Top
 ___ ZN D.C.C.I Body w/ Polished Nickel Bronze Top*

SUFFIXES

___ -AR Acid Resisting Epoxy Coated Cast Iron
 ___ -C Underdeck Clamp (Lower Body)
 ___ -DG Duresist Grate
 ___ -DP Top-Set[®] Deck Plate (Lower Body)
 ___ -DX Dex-o-tex Flange (Upper Body)
 ___ -G Galvanized Cast Iron
 ___ -R Sump Receiver (Lower Body)
 ___ -TS Top Secured with Slotted Screws
 ___ -VP Vandal-Proof Secured Top

* Regularly furnished unless otherwise specified.

Zurn Industries, LLC | Specification Drainage Operation
 1801 Pittsburgh Avenue, Erie, PA U.S.A. 16502 · Ph. 855-663-9876, Fax 814-454-7929
 In Canada | Zurn Industries Limited
 3544 Nashua Drive, Mississauga, Ontario L4V 1L2 · Ph. 905-405-8272, Fax 905-405-1292
www.zurn.com

Rev. A
 Date: 12/28/2016
 C.N. No. 135886
 Prod. | Dwg. No. Z624-120