



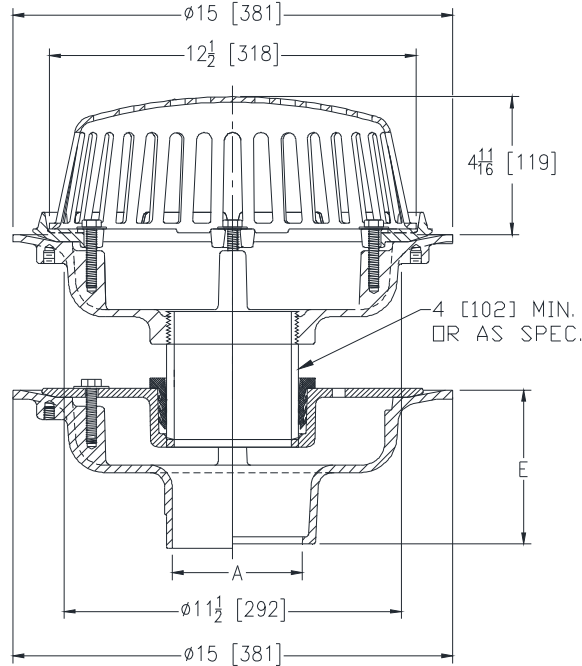
# Z624-129

## ISOLATION DECK DRAIN W/ Z100 UPPER DRAIN

SPECIFICATION SHEET

TAG \_\_\_\_\_

Dimensional Data (inches and [ mm ]) are Subject to Manufacturing Tolerances and Change Without Notice



A - Pipe Size In. [mm]	Approx. Wt. Lbs. [kg]	Dome Open Area Sq. In. [cm <sup>2</sup> ]
2,3,4 [51,76,102]	64 [29]	103 [665]

### ENGINEERING SPECIFICATION: ZURN Z624-129

Floating slab drain, Dura-Coated cast iron upper and lower bodies, lower clamp collar with weep holes, neoprene flex gasket, upper combination membrane flashing clamp/gravel guard and low silhouette Poly-Dome.

### OPTIONS (Check/specify appropriate options)

#### PIPE SIZE

- 2,3,4 [51,76,102]
- 2,3,4 [51,76,102]
- 2,3,4 [51,76,102]
- 2,3,4 [51,76,102]
- 2,3,4 [51,76,102]

#### (Specify size/type) OUTLET

- \_\_\_\_\_ IC Inside Caulk
- \_\_\_\_\_ IG Inside Gasket
- \_\_\_\_\_ IP Threaded
- \_\_\_\_\_ NH No-Hub
- \_\_\_\_\_ NL Neo-Loc

#### 'E' BODY HT. DIM.

- 5-1/4 [133]
- 5-1/4 [133]
- 3-3/4 [95]
- 5-1/4 [133]
- 4-5/8 [117]

#### PREFIXES

- \_\_\_\_\_ Z D.C.C.I. Body with Poly-Dome\*
- \_\_\_\_\_ ZA D.C.C.I Body w/ Aluminum Dome Cast
- \_\_\_\_\_ ZC D.C.C.I Body w/ Cast Iron Dome
- \_\_\_\_\_ ZRB D.C.C.I Body w/ Plain Bronze Dome

#### SUFFIXES

- |                                                                                |                                                                         |
|--------------------------------------------------------------------------------|-------------------------------------------------------------------------|
| _____ -AC Angular Underdeck Clamp (Lower Body)                                 | _____ -ST Dome with Solid Top (ZA, ZC & ZRB Only)                       |
| _____ -C Underdeck Clamp (Lower Body)                                          | _____ -TC Neo-Loc test cap Gasket<br>(2,3,4 [51,76,102] NL outlet only) |
| _____ -DP Top-Set Deck Plate                                                   | _____ -VP Vandal-Proof Secured Top                                      |
| _____ -DX Dex-O-Tex Flange (Upper Body)                                        | _____ -W2 2 [51] Internal Water Dam                                     |
| _____ -G Galvanized Cast Iron                                                  | _____ -W3 3 [76] Internal Water Dam                                     |
| _____ -LH Less Weep Holes in Clamp Collar                                      | _____ -W4 4 [102] Internal Water Dam                                    |
| _____ -PS Perforated Screen 6 [152] thru 18 [457]<br>(Specify Height Required) | _____ -90 90° Threaded Side Outlet Body<br>(2,3,4,6 [51,76,102,152])    |
| _____ -R Sump Receiver (Lower Body)                                            |                                                                         |

\* Regularly furnished unless otherwise specified.