



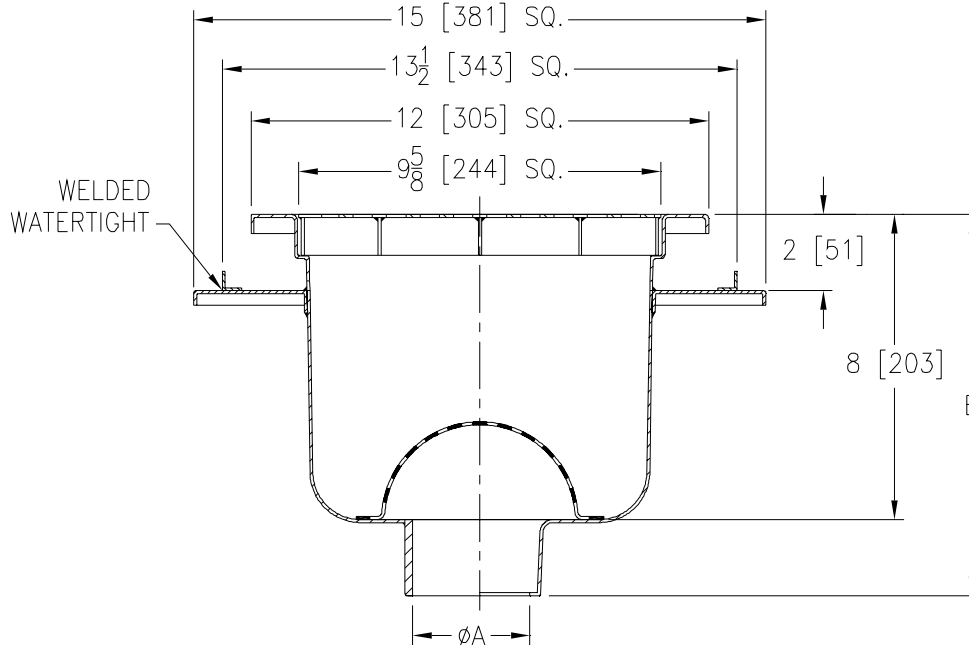
# ZM1751-147

SPECIFICATION SHEET

## 12 X 12 [305 x 305] SANI-FLORECEPTOR, 8 [203] SUMP DEPTH WITH FLANGE SEAL

TAG \_\_\_\_\_

Dimensional Data (inches and [ mm ]) are Subject to Manufacturing Tolerances and Change Without Notice



A Pipe Size In.	Approx. Wt. Lbs. [kg]	Grate Open Area Sq. In. [cm <sup>2</sup> ]
2-3-4 [51-76-102]	19 [9]	23 [148]

### ENGINEERING SPECIFICATION: ZURN ZM1751-147

12 x 12 x 8 [305 x 305 x 203] deep, #14 gage, All Type 304 (CF8) Stainless Steel light duty Sani-Flo receptor with seepage pan with seepage holes and 1/2 x 1/2 [13 x 13] angle flange seal, non-tilt, loose set full grate with 1/2 [13] square openings and anti-splash interior dome strainer.

### OPTIONS (Check/specify appropriate options)

#### PIPE SIZE

2 thru 4 [51 thru 102]  
2 [51]  
3 [76]  
4 [102]  
2 thru 4 [51 thru 102]  
2 thru 4 [51 thru 102]

#### (Specify size/type) OUTLET

\_\_\_ IC Inside Caulk  
\_\_\_ IP Threaded  
\_\_\_ IP Threaded  
\_\_\_ IP Threaded  
\_\_\_ NH No-Hub  
\_\_\_ NL Neo-Loc

#### 'E' BODY HT. DIM.

10 9/16 [268]  
9 5/16 [237]  
9 9/16 [243]  
10 1/16 [256]  
10 1/16 [256]  
9 13/16 [249]

#### PREFIXES

\_\_\_ ZM Type 316 (CF8M) Stainless Steel

#### SUFFIXES

\_\_\_ -1 (Less) Grate  
\_\_\_ -2 1/2 Grate  
\_\_\_ -15 Solid Cover

REV. DATE: 03/06/07 C.N. NO. 96292

DWG. NO. P-15389 PRODUCT NO. ZM1751-147

\*REGULARLY FURNISHED UNLESS OTHERWISE SPECIFIED

ZURN INDUSTRIES, INC. ♦ SPECIFICATION DRAINAGE OPERATION ♦ 1801 Pittsburgh Ave. ♦ Erie, PA 16514

Phone: 814/455-0921 ♦ Fax: 814/454-7929 ♦ World Wide Web: www.zurn.com

In Canada: ZURN INDUSTRIES LIMITED ♦ 3544 Nashua Drive ♦ Mississauga, Ontario L4V1L2 ♦ Phone: 905/405-8272 Fax: 905/405-1292