



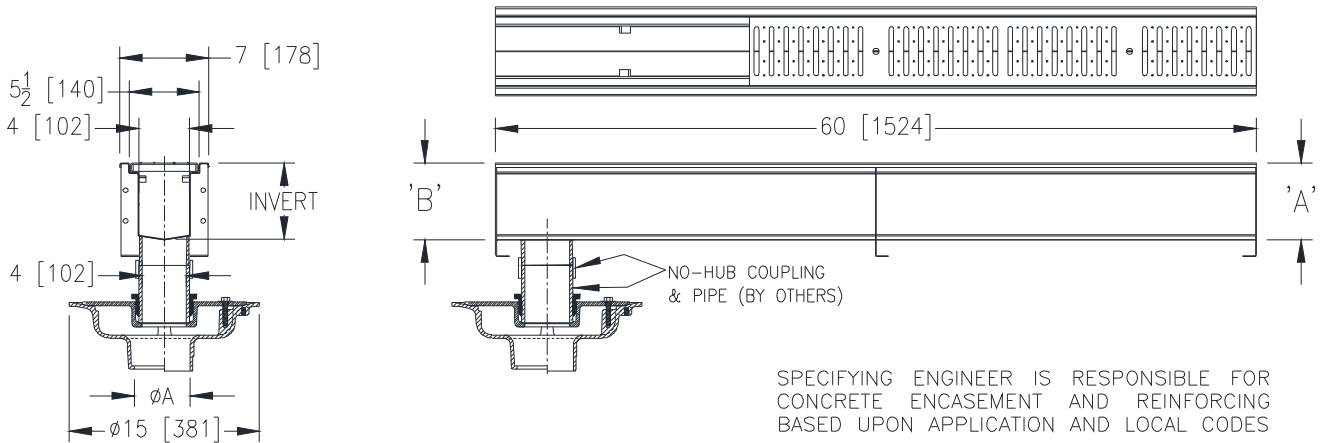
Z890-108

7 [178] WIDE REVEAL TRENCH DRAIN SYSTEM WITH LOWER Z624 ISOLATION DECK

SPECIFICATION SHEET

TAG _____

Dimensional Data (inches and [mm]) are Subject to Manufacturing Tolerances and Change Without Notice



SPECIFYING ENGINEER IS RESPONSIBLE FOR CONCRETE ENCASEMENT AND REINFORCING BASED UPON APPLICATION AND LOCAL CODES

ENGINEERING SPECIFICATION: Zurn Z890-108

Channels are 60" [1524mm] long, 7" [178mm] wide and have a 4" [102mm] throat. Modular channel sections are made of 16 ga. fabricated Stainless Steel conforming to ASTM A-240 (type 304). Channels have a bolted, gasketed flanged connection between channel sections that will not separate during the installation, and 4" [102mm] no-hub bottom outlet complete with Dura-Coated Cast iron Z624 Isolation Deck.

PIPE SIZE (Lower Body)

2,3,4,6 [51,76,102,152]
2,3,4 [51,76,102]

(Specify size/type) OUTLET

___ NH No-Hub
___ NL Neo-Loc

'E' BODY HT. DIM.

5-1/4 [133]
4-5/8 [117]

PREFIX OPTIONS (Check/specify appropriate options)

___ Z Five-foot, Type 304 Stainless Steel*

SUFFIX OPTIONS (Check/specify appropriate options)

Grate Options (Load Classifications are per DIN EN1433)

- ___ -BDC Black Acid Resistant Epoxy Coated Ductile Grate - Class C
- ___ -BDE Black Acid Resistant Epoxy Coated Ductile Grate - Class E
- ___ -DC Ductile Iron Solid Cover - Class C
- ___ -DGC Ductile Iron Slotted Grate - Class C
- ___ -DGE Ductile Iron Slotted Grate - Class E
- ___ -DGE-NA Ductile Iron Slotted Grate - Class E - North American
- ___ -GG Fiberglass Grate - Class A
- ___ -HPD Heel-Proof Ductile Slotted Grate - Class B
- ___ -HPDE Heel-Proof Ductile Slotted Grate - Class E
- ___ -HPP Heel-Proof Polyethylene Grate - Class A
- ___ -LD Ductile Iron Longitudinal Slotted Grate - Class B
- ___ -RFSC Reinforced Slotted Stainless Steel Grate - Class C
- ___ -RPSC Reinforced Perforated Stainless Steel Grate - Class C
- ___ -RPSRC Reinforced Perforated SS Reversed Punch Grate - Class C

Decorative Grate Options (Load Classifications are per DIN EN1433)

- ___ -BCD Bronze Circular Decorative Grate - Class A
- ___ -BDD Bronze Diagonal Decorative Grate - Class A
- ___ -DCD Ductile Iron Circular Decorative Grate - Class C
- ___ -DDD Ductile Iron Diagonal Decorative Grate - Class A
- ___ -DOG Ductile Iron Decorative Grate - Class B
- ___ -DWV Ductile Wave Decorative Grate - Class A
- ___ -HPB Heel-Proof Bronze Slotted Grate - Class A
- ___ -HPS Heel-Proof Stainless Steel Slotted Grate - Class A
- ___ -SBG Stainless Steel Bar Grate - Class E
- ___ -SCD Stainless Steel Circular Decorative Grate - Class B
- ___ -SDD Stainless Steel Diagonal Decorative Grate - Class B
- ___ -SMG Stainless Steel Mesh Grate - Class B
- ___ -SOG Stainless Steel Decorative Grate - Class B

MADE in the U.S.A. (Load Classifications are per DIN EN1433)

- ___ -BDE Black Acid Resistant Epoxy Coated Ductile Grate - Class E
- ___ -DGC-USA Ductile Iron Slotted Grate - Class C
- ___ -DGE-USA Ductile Iron Slotted Grate - Class E
- ___ -FS Fabricated Stainless Steel Slotted Grate - Class A *
- ___ -PPC Plastic Perforated Grate - Class C
- ___ -PS Perforated Stainless Steel Grate - Class A
- ___ -SBGS Serrated Stainless Steel Bar Grate CUSTOM - Class B

Decorative MADE in the U.S.A. (Load Classifications are per DIN EN1433)

- ___ -BZ Bronze Decorative Grate - Class A
- ___ -NBZ-USA Nickel Bronze Decorative Grate - Class A
- ___ -PDE-USA Ductile Iron Perforated ADA Grate - Class E
- ___ -PSR Perforated Stainless Steel Raised Grate - Class A
- ___ -SWG Stainless Steel Wire Grate - Class A

Miscellaneous Options

- ___ -DB Drop-In Bucket Strainer
- ___ -K Anchor Flange
- ___ -KC Clamp Collar and Pan
- ___ -VP Vandal-Proof Lockdown

** For Invert/slope dimensions see standard Z890 Specification Sheet.

* Regularly furnished unless otherwise specified.

Zurn Industries, LLC | Specification Drainage Operation

1801 Pittsburgh Avenue, Erie, PA U.S.A. 16502 · Ph. 855-663-9876, Fax 814-454-7929

In Canada | Zurn Industries Limited

3544 Nashua Drive, Mississauga, Ontario L4V 1L2 · Ph. 905-405-8272, Fax 905-405-1292

www.zurn.com

Rev. -

Date: 10/15/18

C.N. No. 140736

Prod. | Dwg. No. Z890-108