



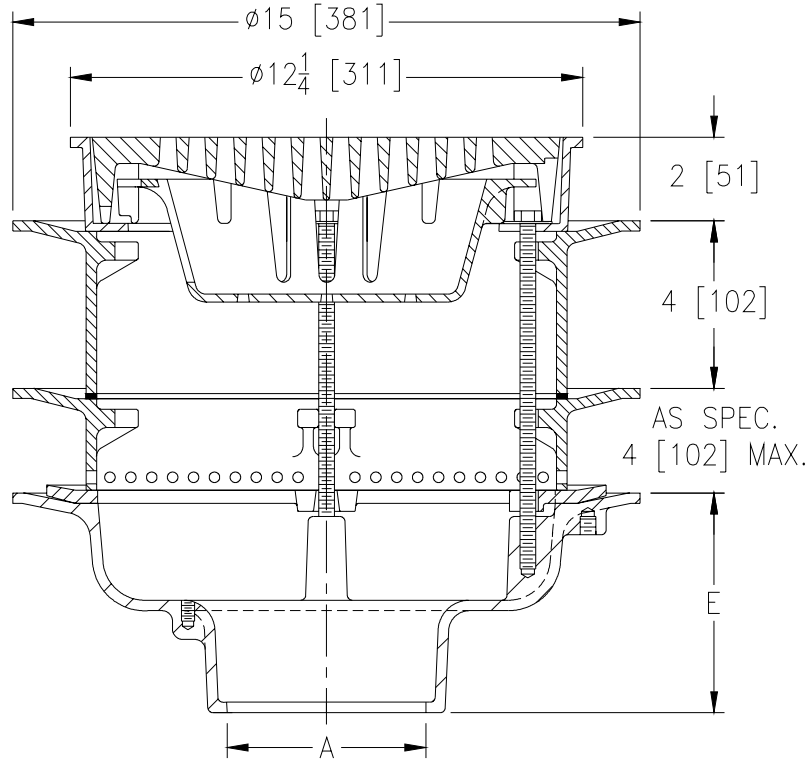
# Z541-118

## 12 [305] DIAMETER EXTRA HEAVY DUTY DRAIN W/ EXTENSIONS

SPECIFICATION SHEET

TAG \_\_\_\_\_

Dimensional Data (inches and [ mm ]) are Subject to Manufacturing Tolerances and Change Without Notice



A- Pipe Size	Approx. Wt. Lbs. [kg.]	Grate Open Area Sq. In. [cm <sup>2</sup> ]
2-3-4-5-6 [51-76-102-127-152]	62 [28]	30 [194]
8-10 [203-254]	64 [29]	

**ENGINEERING SPECIFICATION: ZURN Z541-118**

12 [305] Diameter top drain, Dura-Coated cast iron body with bottom outlet, seepage pan and combination membrane flashing clamp frame, extensions (lower extension with weep holes), secondary clamping collar and Duresist grate with suspended sediment bucket.

**OPTIONS** (Check/specify appropriate options)

**PIPE SIZE**

- 2 thru 6-8-10 [51 thru 152-203-254]
- 2 thru 4-6 [51 thru 102-152]
- 2 thru 6-8-10 [51 thru 152-203-254]
- 2 thru 6-8-10 [51 thru 152-203-254]
- 2 thru 4 [51 thru 102]

(Specify size/type) **OUTLET**

- \_\_\_\_\_ IC Inside Caulk
- \_\_\_\_\_ IG Inside Gasket
- \_\_\_\_\_ IP Threaded
- \_\_\_\_\_ NH No-Hub
- \_\_\_\_\_ NL Neo-Loc

**'E' BODY HT. DIM.**

- 5 1/4 [133]
- 5 1/4 [133]
- 3 3/4 [95]
- 5 1/4 [133]
- 4 5/8 [117]

**PREFIXES**

- \_\_\_\_\_ Z D.C.C.I. Body and Top\*

**SUFFIXES**

- |  |   |
|--|---|
| <ul style="list-style-type: none"> <li>_____ -AR Acid Resisting Epoxy Coated Cast Iron</li> <li>_____ -DX Dex-o-tex Flange (See Z532)</li> <li>_____ -G Galvanized Cast Iron</li> <li>_____ -LY (Less) Bucket</li> <li>_____ -P Trap Primer Connection</li> <li>_____ -SS Stainless Mesh Liner for Bucket</li> <li>_____ -V Backwater Valve (See Z1099)</li> </ul> | <ul style="list-style-type: none"> <li>_____ -VP Vandal-Proof Secured Top</li> <li>_____ -90 90° Threaded Side Outlet Body (2 [50] thru 6 [150])</li> </ul> |
|--|---|

<b>REV. A</b>	<b>DATE: 6/29/05</b>	<b>C.N. NO. 93576</b>
<b>DWG. NO. P-15041 PRODUCT NO. Z541-118</b>		

\*REGULARLY FURNISHED UNLESS OTHERWISE SPECIFIED