



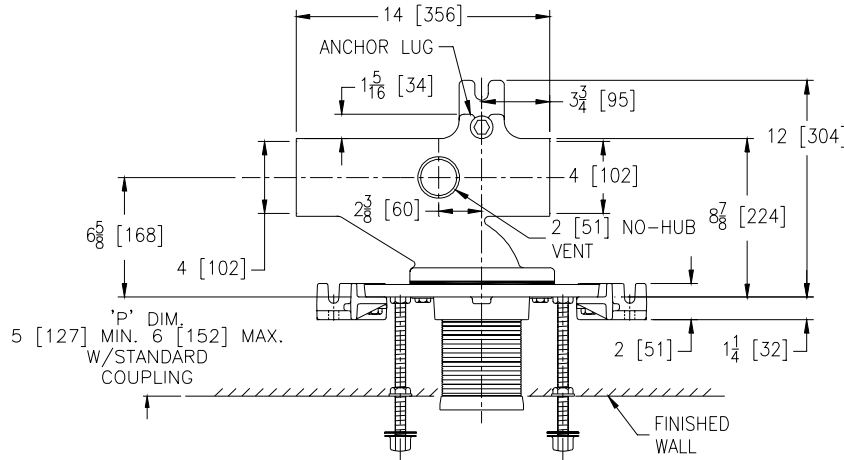
Z-1203-96

SPECIFICATION SHEET

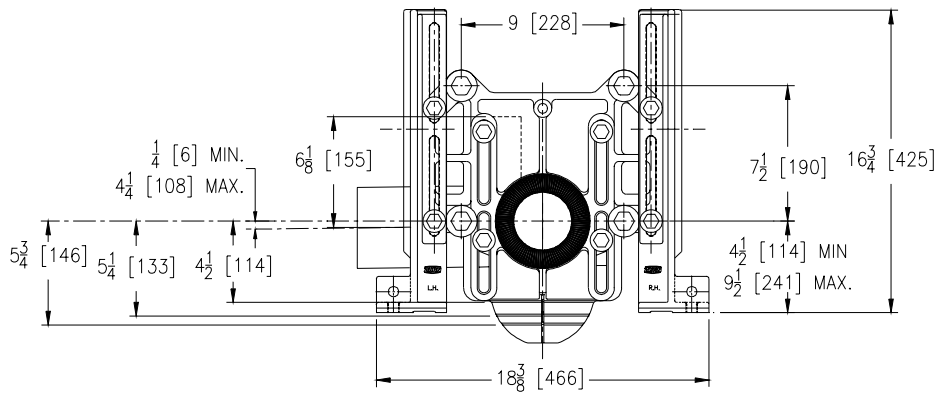
ADJUSTABLE HORIZONTAL SIPHON JET NO-HUB FOR PRE-FAB ANGLE IRON INSTALLATIONS

TAG _____

Dimensional Data (inches and [mm]) are Subject to Manufacturing Tolerances and Change Without Notice



Product Number	Approx. Wt. Lbs. [kg]
Z-1203-NL4	67 [30]
Z-1203-NR4	



Note:

1. Min. 'P' Dim. Obtainable=2 [51]
2. Feet bolted to floor using min. 1/2 [13] dia. bolts and back slots on carrier feet.
3. Back anchor foot required for secure installation.

ENGINEERING SPECIFICATION: ZURN Z-1203-96 Adjustable, horizontal siphon jet water closet "Rigid System" with 4 [102] No-Hub connections. Complete with Dura-Coated cast iron right hand, left hand, or double main fitting, with 2 [51] vent, adjustable gasketed faceplate, universal floor mounted foot supports, corrosion resistant adjustable ABS coupling with integral test cap, fixture bolts, trim, and stud protectors. Rear anchor tie down and bonded "Neo-Seal" gasket.

OPTIONS (Check/specify appropriate options)

- Z-1203-NR4** 4 [102] No-Hub Right Hand Inlet with Flow to Left
Z-1203-NL4 4 [102] No-Hub Left Hand Inlet with Flow to Right

PREFIXES

- ___ Z- D.C.C.I. System with Zurn "ZZ" Adjustable Coupling*
 ___ ZQ- D.C.C.I. System with NPT Faceplate, Non-Adjustable Coupling

SUFFIXES

- | | | | |
|---------|--|---------|--|
| ___ -A | Auxiliary Support Assembly
(For 'P' Dim. Greater than 18 [457]) | ___ -VP | Vandal Proof Trim |
| ___ -B | Blowout Type Fixture Support | ___ -W | Adapter Assembly for Womens Urinal |
| ___ -BC | Back Cleanout | ___ -XH | Extra-Heavy-Duty 500-Lb. [227 kg.] Carrier |
| ___ -CC | Corrosion Resistant Cast Iron Coupling
(6[152] to 12[305]) | ___ -X3 | 3" [76] Foot Extension Assembly |
| ___ -CL | Coupling Length Greater Than 12 [305]
(Specified Length Required) | ___ -X4 | 4" [102] Foot Extension Assembly |
| ___ -F | Floor Mounted, Back Outlet Fixture Support | ___ -29 | Mechanical Test Cap Assembly |
| ___ -G | Galvanized Cast Iron | ___ -45 | Finishing Frame for Siphon Jet System
(for Blow Out System specify -45-B) |
| ___ -M | Auxiliary Foot Support (for 'P' Dim. 10 [254]-18 [457]) | ___ -50 | Flush Valve Supply Support for Water Closets |
| ___ -T | Threaded Connection | ___ -61 | "ZZ" Coupling Wrench |

*REGULARLY FURNISHED UNLESS OTHERWISE SPECIFIED

REV. DATE: 1/17/00 C.N. NO. 84272

DWG. NO. P-14764 PRODUCT NO. Z-1203-96

ZURN INDUSTRIES, INC. ♦ SPECIFICATION DRAINAGE OPERATION ♦ 1801 Pittsburgh Ave. ♦ Erie, PA 16514

Phone: 814/455-0921 ♦ Fax: 814/454-7929 ♦ World Wide Web: www.zurn.com

In Canada: ZURN INDUSTRIES LIMITED ♦ 3544 Nashua Drive ♦ Mississauga, Ontario L4V1L2 ♦ Phone: 905/405-8272 Fax: 905/405-1292