



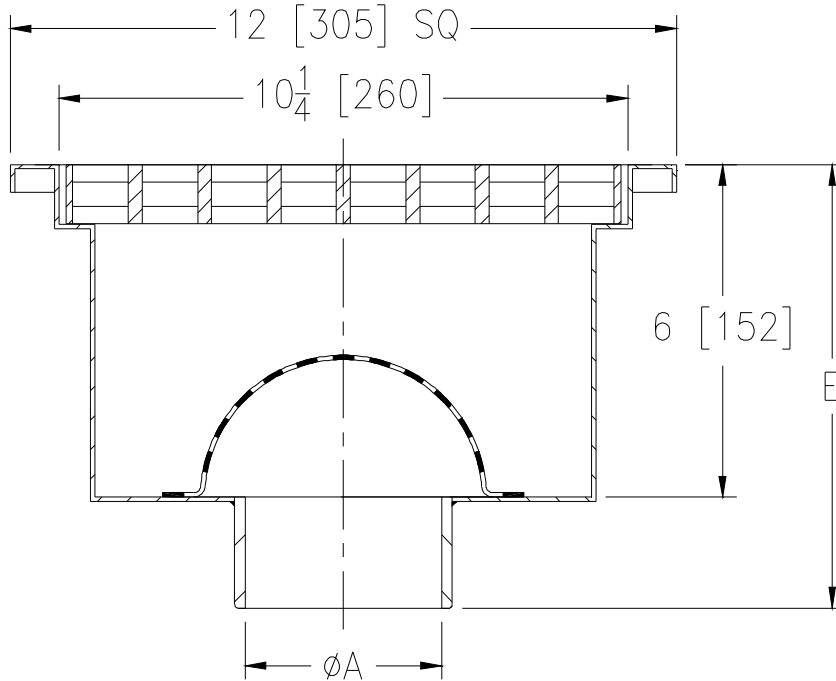
# Z1750-151

## 12 X 12 [305 x 305] 14 GAGE SANI-FLOR RECEPTOR 6 [152] SUMP DEPTH

SPECIFICATION SHEET

TAG \_\_\_\_\_

Dimensional Data (inches and [ mm ]) are Subject to Manufacturing Tolerances and Change Without Notice



A- Pipe Size In.	Approx. Wt. Lbs. [kg]	Grate Open Area Sq. In. [cm <sup>2</sup> ]
2-3-4 [51-76-102]	15 [7]	23 [148]
6 [152]	17 [8]	

**ENGINEERING SPECIFICATION: ZURN Z1750-151**  
 12 x 12 x 6 [305 x 305 x 152] deep, 14 gage, All Type 304 (CF8) Stainless Steel light-duty Sani-Flor receptor with non-tilt, loose set full bar grate and anti-splash stainless steel interior dome strainer.

**OPTIONS** (Check/specify appropriate options)

**PIPE SIZE**

- 2 thru 4 [51 thru 102]
- 2 [51]
- 3 [76]
- 4 [102]
- 2 thru 4, 6 [51 thru 102, 152]
- 2 thru 4 [51 thru 102]

(Specify size/type) **OUTLET**

- \_\_\_\_\_ IC Inside Caulk
- \_\_\_\_\_ IP Threaded
- \_\_\_\_\_ IP Threaded
- \_\_\_\_\_ IP Threaded
- \_\_\_\_\_ NH No-Hub
- \_\_\_\_\_ NL Neo-Loc

**'E' BODY HT. DIM.**

- 8-9/16 [214]
- 7-5/16 [186]
- 7-9/16 [198]
- 8-1/16 [205]
- 8-1/16 [205]
- 7-13/16 [198]

**PREFIXES**

- \_\_\_\_\_ Z Type 304 (CF8) Stainless Steel Body\*
- \_\_\_\_\_ ZM Type 316 (CF8M) Stainless Steel

**SUFFIXES**

- |   |   |
|---|---|
| <ul style="list-style-type: none"> <li>_____ -DX Dex-o-tex Flange</li> <li>_____ -K Anchor Flange</li> <li>_____ -KC Anchor Flange w/ Seepage Holes and Clamp Collar</li> <li>_____ -LSH (Less) Seepage Holes</li> <li>_____ -P 1/2 [13] Trap Primer Connection</li> <li>_____ -SG Solid Gasketed Cover</li> <li>_____ -TC Neo-Loc Test Cap Gasket (2 - 4 [51 - 102] NL Bottom Outlet Only)</li> <li>_____ -VP Vandal-Proof Secured Top</li> <li>_____ -Y Sediment Bucket</li> <li>_____ -1 (Less) Grate</li> <li>_____ -2 1/2 Grate</li> </ul> | <ul style="list-style-type: none"> <li>_____ -3 3/4 Grate</li> <li>_____ -4 Full Grate w/ 3 [76] Square Opening</li> <li>_____ -5 Grate w/ 4 [102] Dia. x 3 3/4 [95] High Type 304 Stainless Steel Funnel</li> <li>_____ -8 Grate w/ 8-3/8 x 3-5/8 x 3-3/4 [213 x 92 x 95] High Type 304 Stainless Steel Oval Funnel</li> <li>_____ -15 Solid Cover</li> <li>_____ -16 1/2 Solid Cover</li> <li>_____ -17 3/4 Solid Cover</li> <li>_____ -18 Solid Cover w/ 3 [76] Square Center Opening</li> </ul> |
|---|---|

\*REGULARLY FURNISHED UNLESS OTHERWISE SPECIFIED

<b>REV.</b>	<b>DATE: 08/24/11</b>	<b>C.N. NO. 121987</b>
<b>DWG. NO. 307315 PRODUCT NO. Z1750-151</b>		