



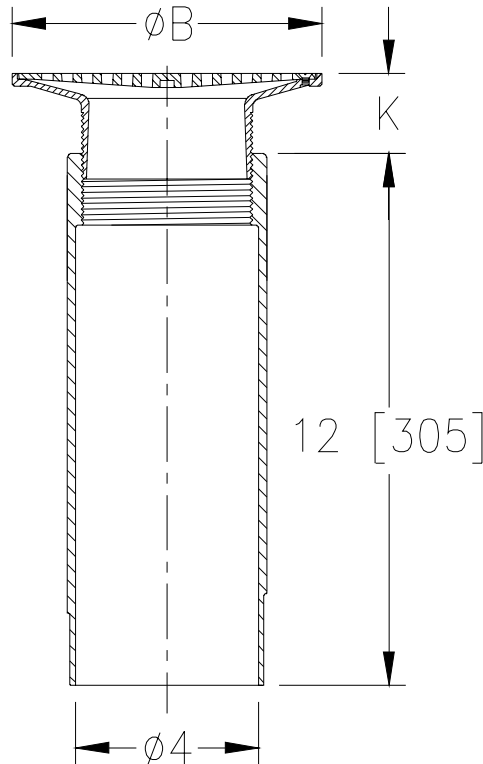
Z415B-103

SPECIFICATION SHEET

BODY W/ "TYPE B" ADJUSTABLE STRAINER & NO-HUB OUTLET

TAG _____

Dimensional Data (inches and [mm]) are Subject to Manufacturing Tolerances and Change Without Notice



Dimensions In Inches			Approx. Wt. Lbs. [kg]	Strainer Open Area Sq. In. [cm ²]
B Strainer Dia.	K			
		Min.	Max.	
5 [127]	9/16 [14]	2 [51]	11 [5]	8 [52]
6 [152]	13/16 [21]	2 [51]	12 [5]	9 [58]
7 [178]	1 1/8 [29]	2 3/8 [60]	13 [6]	12 [77]
8 [203]	1 3/16 [30]	2 3/8 [60]	14 [6]	18 [116]
10 [254]	1 7/16 [36]	2 3/4 [70]	21 [10]	26 [168]

ENGINEERING SPECIFICATION: ZURN Z415B-103
 Floor and shower drain, Dura-Coated cast iron body with bottom outlet, adjustable "TYPE B" polished nickel bronze secured strainer with square openings.

OPTIONS (Check/specify appropriate options)

PIPE SIZE

4 [102]

OUTLET

___ NH No-Hub

PREFIXES

- ___ ZB D.C.C.I. Body Assembly w/ Polished Bronze Top
- ___ ZN D.C.C.I. Body Assembly w/ Polished Nickel Bronze Top*

SUFFIXES

- ___ -AA All Acid Resistant Epoxy Coated
- ___ -AR Acid Resistant Epoxy Coated Finish
- ___ -G Galvanized Cast Iron
- ___ -OF Oval Funnel (Z329) (6 - 10 [152 - 254] Strainer Only)
- ___ -U 1 - 3 [25 - 76] High Extension Adapter
- ___ -VP Vandal-Proof Secured Top
- ___ -Y Sediment Bucket

REV.	DATE: 5/17/05	C.N. NO. 93413
DWG. NO. P-15152 PRODUCT NO. Z415B-103		

*REGULARLY FURNISHED UNLESS OTHERWISE SPECIFIED