



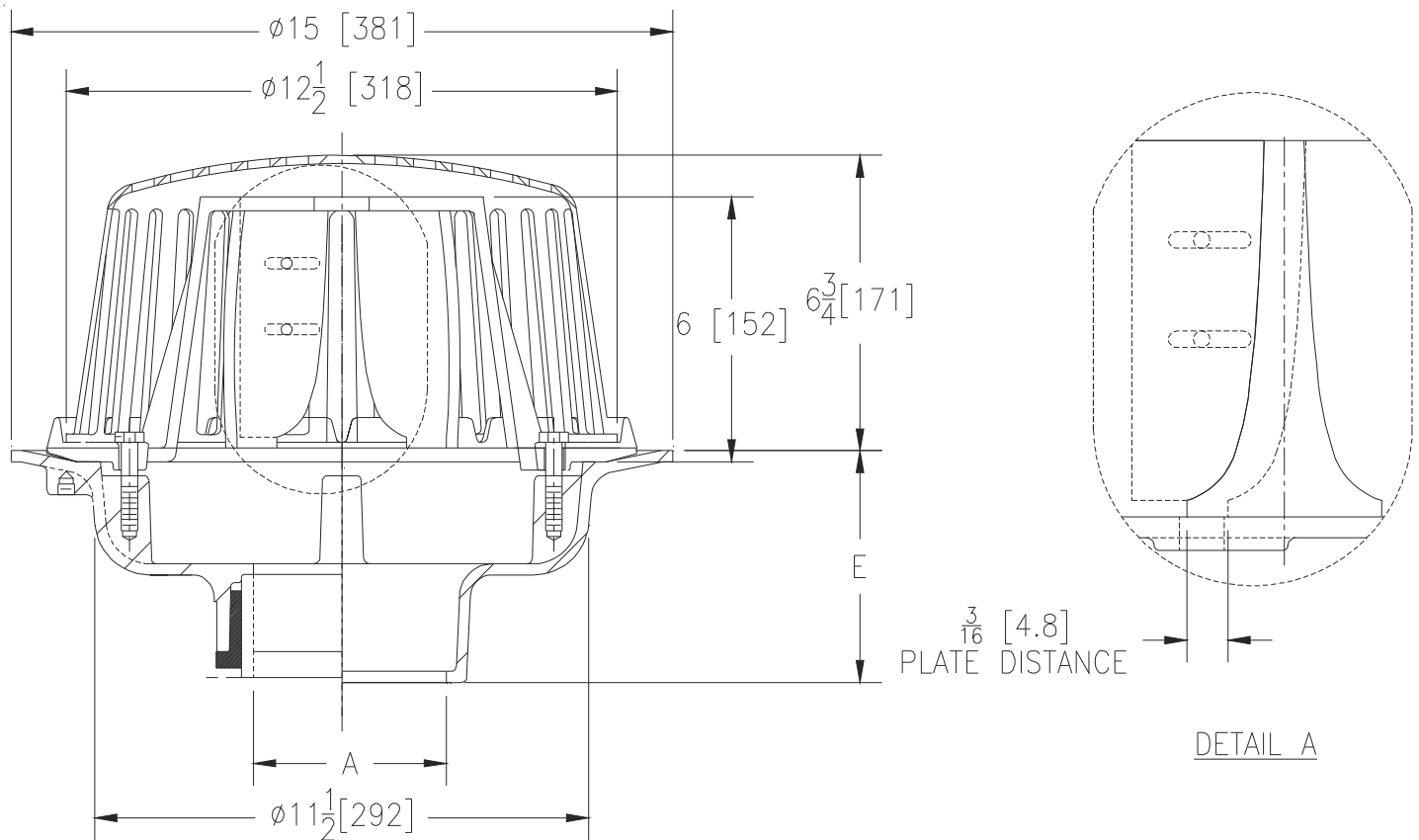
Z105-10-101

QTY(2) 3/16" [4.8] RESTRICTED WEIRS FOR SLOPED-ROOF "CONTROL-FLO" ROOF DRAIN

SPECIFICATION SHEET

TAG _____

Dimensional Data (inches and [mm]) are Subject to Manufacturing Tolerances and Change Without Notice



A' Pipe Size in [mm]	Approx, Wt. lbs [kgs]	Dome Open Area in ² [cm ²]	GPM Per Inch of Head [LPM]	Max Flow GPM [LPM]
2,3,4 [51,76,102]	34 [15]	148 [955]	13.6 [52]	81.6 [309]

Engineering Specification: Z105-10-101

15" [381mm] Diameter Control-Flo Roof Drain for sloped roof construction. Dura-coated cast iron body, aluminum Control-Flo weirs shall be linear functioning with integral membrane flashing clamp / gravel guard and aluminum dome. Complete with two weirs, both restricted by 3/16" [4.8mm]

OPTIONS (Check/specify appropriate options)

PIPE SIZE

2,3,4 [51,76,102]
 2,3,4 [51,76,102]
 2,3,4 [51,76,102]
 2,3,4 [51,76,102]

(Specify size/type) OUTLET

_____ IC Inside Caulk
 _____ IP Threaded
 _____ NH No-Hub
 _____ NL Neo-Loc

E BODY HT. DIM.

5-1/4 [133]
 3-3/4 [95]
 5-1/4 [133]
 4-9/16 [116]

PREFIXES

_____ ZA D.C.C.I. Body with Aluminum Dome*
 _____ ZC D.C.C.I. Body with Cast Iron Dome

* Regularly furnished unless otherwise specified.