



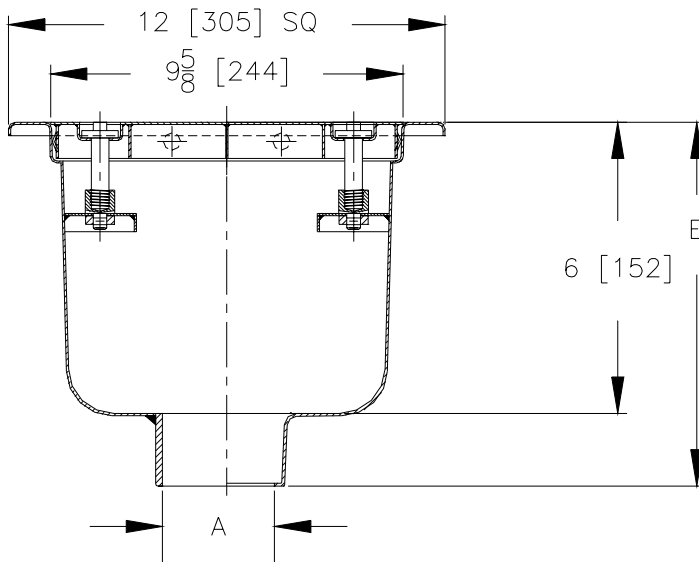
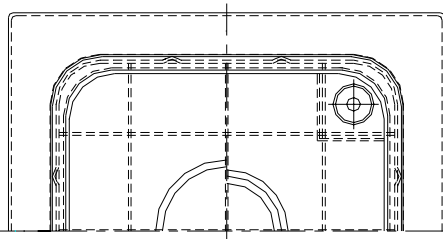
Z-1750-118

SPECIFICATION SHEET

12" X 12" [305 X 305] SANI-FLOR RECEPTOR
6" [152] SUMP DEPTH

TAG _____

Dimensional Data (inches and [mm]) are Subject to Manufacturing Tolerances and Change Without Notice



A- Pipe Size In.	Approx. Wt. Lbs. [kg]
2-3-4-6 [50-75-100-152]	19 [9]

ENGINEERING SPECIFICATION: ZURNZ-1750-118

12 x 12 x 6 [305 x 305 x 152] deep, 14 gage, All Type 304 (CF8) Stainless Steel light duty Sani-Flor receptor with non-tilt, locking, gasketed, solid cover.

OPTIONS (Check/specify appropriate options)

PIPE SIZE

- 2 thru 4 [50 thru 100]
- 2 [50]
- 3 [75]
- 4 [100]
- 2 thru 6 [50 thru 152]
- 2 thru 4 [50 thru 100]

(Specify size/type) **OUTLET**

- _____ IC Inside Caulk
- _____ IP Threaded
- _____ IP Threaded
- _____ IP Threaded
- _____ NH No-Hub
- _____ NL Neo-Loc

'E' BODY HT. DIM.

- 8 9/16 [219]
- 7 5/16 [186]
- 7 9/16 [192]
- 8 1/16 [205]
- 8 1/16 [205]
- 7 13/16 [198]

PREFIXES

- _____ Z- Type 304 (CF8) Stainless Steel Body*
- _____ ZM- Type 316 (CF8M) Stainless Steel

SUFFIXES

- _____ -HD Heavy Duty Cover
- _____ -P 1/2[13] Trap Primer Connection
- _____ -VP Vandal Proof Secured Top
- _____ -Y Sediment Bucket

REV.	DATE: 1/27/00	C.N. NO. 84304
DWG. NO. P-14767 PRODUCT NO. Z-1750-118		

*REGULARLY FURNISHED UNLESS OTHERWISE SPECIFIED