



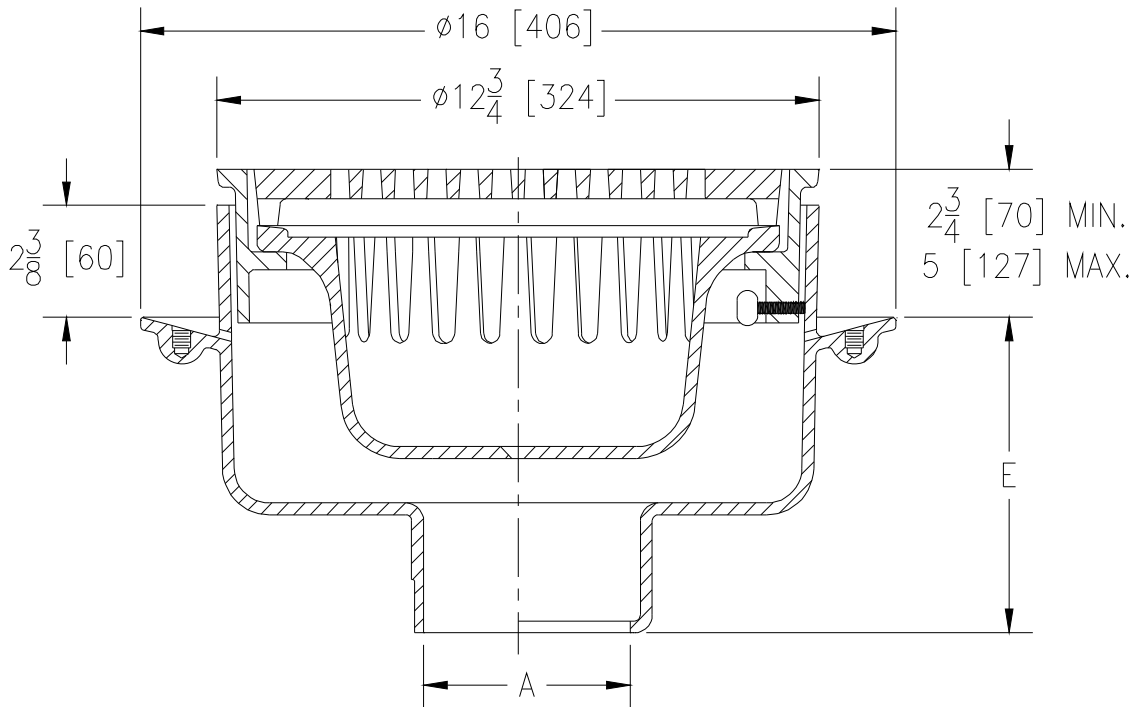
Z521-DG-Y

12-3/4 [324] DIAMETER ADJUSTABLE
HEAVY DUTY DRAIN W/ DURESIST GRATE
& SEDIMENT BUCKET

SPECIFICATION SHEET

TAG _____

Dimensional Data (inches and [mm]) are Subject to Manufacturing Tolerances and Change Without Notice



A- Pipe Size In. [mm]	Approx. Wt. Lbs. [kg]	Grate Open Area Sq. In. [cm ²]
3,4,5,6 [76,102,127,152]	60 [27]	30 [194]

ENGINEERING SPECIFICATION: ZURN Z521-DG-Y

12-3/4" [324mm] Diameter top drain, Dura-Coated cast iron body with bottom outlet, seepage pan and adjustable extension frame with heavy duty Duresist ductile iron grate and sediment bucket.

OPTIONS (Check/specify appropriate options)

PIPE SIZE

3,4,5,6 [76,102,127,152]
3,4,6 [76,102,152]
4,5,6 [102,127,152]
4 [102]

(Specify size/type) OUTLET

___ IC Inside Caulk
___ IG Inside Gasket
___ IP Threaded
___ NL Neo-Loc

'E' BODY HT. DIM.

6-5/8 [168]
6-5/8 [168]
5-1/4 [133]
5-7/8 [149]

PREFIXES

___ Z D.C.C.I. Body and Duresist Grate*
___ ZN D.C.C.I. Body with Polished Nickel Bronze Grate (Add 3/16 [5] to 2-3/4 [70], 5 [127] Dim.)

SUFFIXES

___ -C Clamping Collar
___ -G Galvanized Cast Iron
___ -S Secondary Strainer
___ -T Square Top
___ -TC Neo-Loc Test Cap Gasket
(4 [102] NL Bottom Outlet Only)
___ -TS Top Secured with Slotted Screws
___ -V Backwater Valve (See Z1099)
___ -VP Vandal-Proof Secured Top

* Regularly furnished unless otherwise specified.

Zurn Industries, LLC | Specification Drainage Operation
1801 Pittsburgh Avenue, Erie, PA U.S.A. 16502 · Ph. 855-663-9876, Fax 814-454-7929
In Canada | Zurn Industries Limited
3544 Nashua Drive, Mississauga, Ontario L4V 1L2 · Ph. 905-405-8272, Fax 905-405-1292
www.zurn.com

Rev. A
Date: 10/06/2017
C.N. No. 138498
Prod. | Dwg. No. Z521-DG-Y