



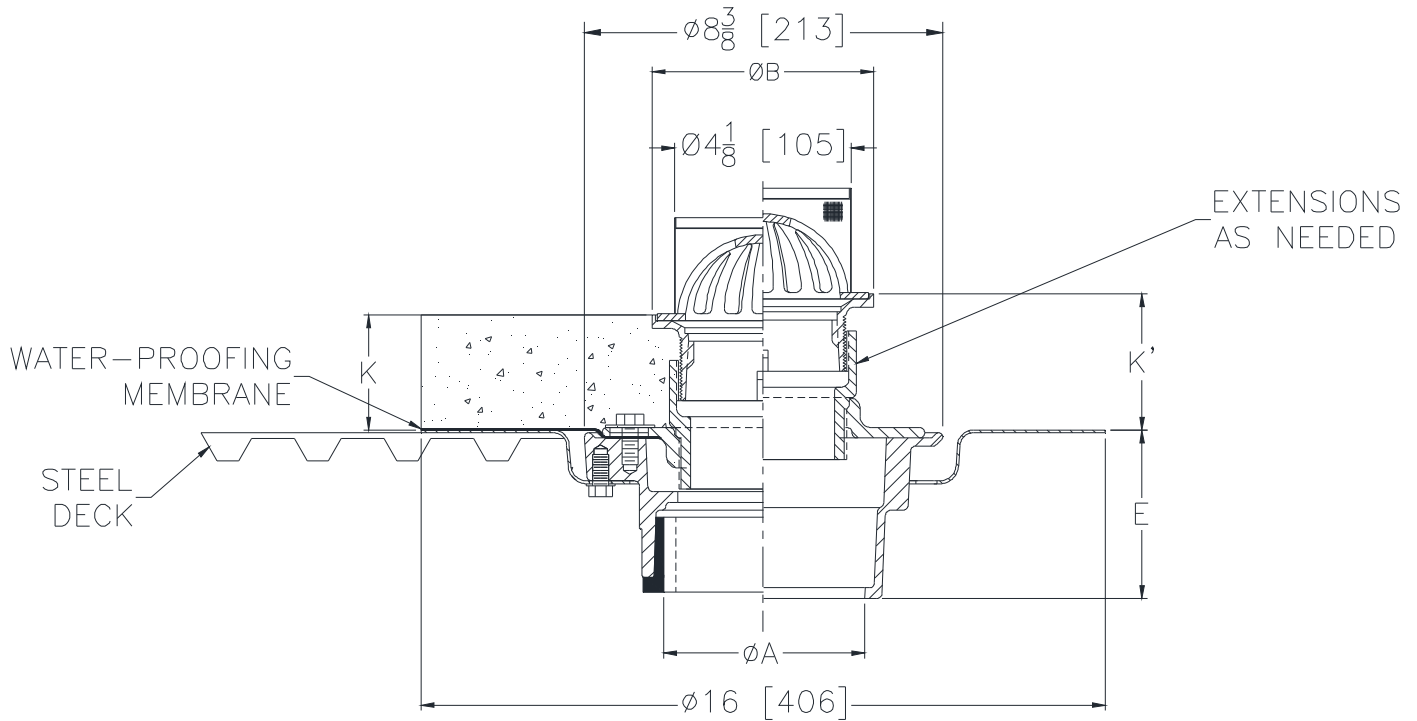
# Z415G-81

## BODY ASSEMBLY W/ "TYPE G" STRAINER, EXTENSION, STAINLESS STEEL SCREEN OVER DOME & DECK PLATE

### SPECIFICATION SHEET

TAG \_\_\_\_\_

Dimensional Data (inches and [ mm ]) are Subject to Manufacturing Tolerances and Change Without Notice



A-Pipe Size In. [mm]	B Dia. Strainer In. [mm]	Str. Open Area Sq. In. [cm <sup>2</sup> ]	Approx. Wt. Lbs. [kg]	Dimensions in Inches [mm]			
				K		K'	
				Min.	Max.	Min.	Max.
2, 3, 4 [51, 76, 102]	5 [127]	10 [254]	24 [11]	3-3/8 [86]	5-1/2 [140]	4-1/16 [103]	6-3/16 [157]

#### ENGINEERING SPECIFICATION: ZURN Z415G-81

Floor and shower drain. Dura-Coated cast iron body with bottom outlet, combination invertible membrane clamp and adjustable collar with "TYPE G" strainer and polished nickel bronze dome, stainless steel mesh screen, adjustable extension, and deck plate.

#### OPTIONS (Check/specify appropriate options)

##### PIPE SIZE

- 2, 3, 4 [51, 76, 102]
- 2 [51]
- 3 [76]
- 4 [102]
- 2, 3, 4 [51, 76, 102]
- 2, 3, 4 [51, 76, 102]

##### (Specify size/type) OUTLET

- \_\_\_\_\_ IC Inside Caulk
- \_\_\_\_\_ IP Threaded
- \_\_\_\_\_ IP Threaded
- \_\_\_\_\_ IP Threaded
- \_\_\_\_\_ NH No-Hub
- \_\_\_\_\_ NL Neo-Loc

##### 'E' BODY HT. DIM.

- 3-7/8 [98]
- 2-3/8 [60]
- 2-5/8 [67]
- 2-7/8 [73]
- 3-7/8 [98]
- 4-5/8 [117]

#### PREFIXES

- \_\_\_\_\_ ZB D.C.C.I. Body Assembly w/ Polished Bronze Top
- \_\_\_\_\_ ZN D.C.C.I. Body Assembly w/ Polished Nickel Bronze Top\*

#### SUFFIXES

- \_\_\_\_\_ -AR Acid Resisting Epoxy Coated Cast Iron
- \_\_\_\_\_ -BS Bronze Mesh Screen Over Dome
- \_\_\_\_\_ -CP Chrome-Plated Bronze Dome
- \_\_\_\_\_ -G Galvanized Cast Iron
- \_\_\_\_\_ -P Trap Primer Connection (Specify 1/2 [13] or 3/4 [19])
- \_\_\_\_\_ -TC Neo-Loc Test Cap Gasket (2,3,4 [51,76,102] NL Bottom Outlet Only)
- \_\_\_\_\_ -VP Vandal-Proof Secured Top
- \_\_\_\_\_ -Y Sediment Bucket
- \_\_\_\_\_ -90 90° Side Outlet Body Assembly (2 [51], 3 [76] Only)

\* Regularly furnished unless otherwise specified.