



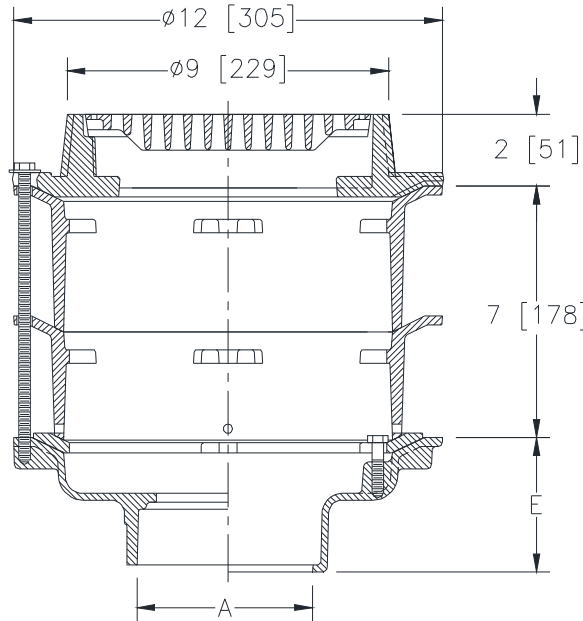
# Z550-98

## 9 [229] DIA. MEDIUM-DUTY DRAIN W/ EXTENSION FRAMES & SECONDARY CLAMP COLLAR

SPECIFICATION SHEET

TAG \_\_\_\_\_

Dimensional Data (inches and [ mm ]) are Subject to Manufacturing Tolerances and Change Without Notice



A - Pipe Size Inches	Approx. Wt. Lbs. [kg]	Grate Open Area Sq. In. [cm <sup>2</sup> ]
2-3-4-6 [51-76-102-152]	58 [26]	18 [116]

**ENGINEERING SPECIFICATION: ZURN Z550-98**  
9 [229] Diameter top drain, Dura-Coated cast iron body with bottom outlet, seepage pan and combination membrane flashing clamp/ frame for medium-duty cast iron slotted grate, secondary clamp collar, and extension frames with seepage holes.

**OPTIONS** (Check/specify appropriate options)

**PIPE SIZE**

- 2-3-4 [51-76-102]
- 2-3-4 [51-76-102]
- 2-3-4 [51-76-102]
- 2-3-4 [51-76-102]
- 6 [152]
- 2-3-4 [51-76-102]

(Specify size/type) **OUTLET**

- \_\_\_ IC Inside Caulk
- \_\_\_ IG Inside Caulk w/Sealtrol Gskt.
- \_\_\_ IP Threaded
- \_\_\_ NH No-Hub
- \_\_\_ NH No-Hub
- \_\_\_ NL Neo-Loc

**'E' BODY HT. DIM.**

- 3-3/4 [95]
- 3-3/4 [95]
- 2-3/4 [70]
- 4-3/4 [121]
- 5-1/4 [133]
- 3-1/2 [89]

**PREFIXES**

- \_\_\_ Z D.C.C.I. Body and Top\*
- \_\_\_ ZB D.C.C.I. Body with Polished Bronze Top (Add 3/16 [5] to 2 [51] Dim.)
- \_\_\_ ZN D.C.C.I. Body with Polished Nickel Bronze Top (Add 3/16 [5] to 2 [51] Dim.)

**SUFFIXES**

- \_\_\_ -AR Acid Resisting Epoxy Coated Cast Iron
- \_\_\_ -D Dome Grate
- \_\_\_ -DF Deflector Grate
- \_\_\_ -DG Duresist Grate
- \_\_\_ -G Galvanized Cast Iron
- \_\_\_ -GG Galvanized Grate
- \_\_\_ -P Trap Primer Connection
- \_\_\_ -S Secondary Strainer
- \_\_\_ -SC Solid Cover
- \_\_\_ -SG Solid Gasketed Cover
- \_\_\_ -SS Stainless Mesh Liner for Bucket
- \_\_\_ -TC Neo-Loc Test Cap Gasket  
(2 [51] - 4 [102] NL Bottom Outlet Only)
- \_\_\_ -TG Tractor Grate
- \_\_\_ -TS Top Secured with Slotted Screw
- \_\_\_ -V Backwater Valve (See Z1099)
- \_\_\_ -VP Vandal-Proof Secured Top
- \_\_\_ -Y Sediment Bucket
- \_\_\_ -90 90° Threaded Side Outlet Body  
(2 thru 4 [51 thru 102])

\* Regularly furnished unless otherwise specified.