

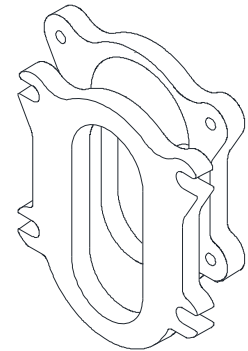
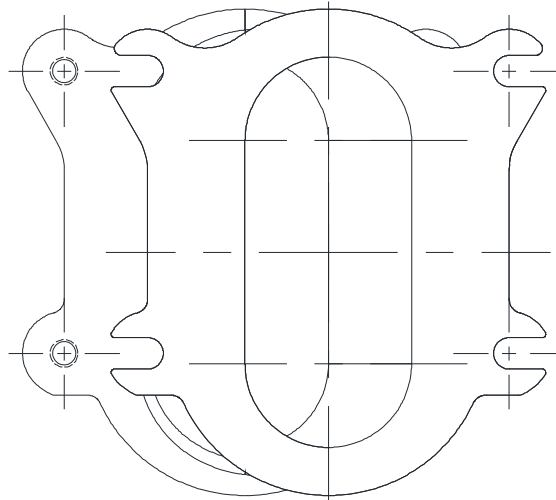
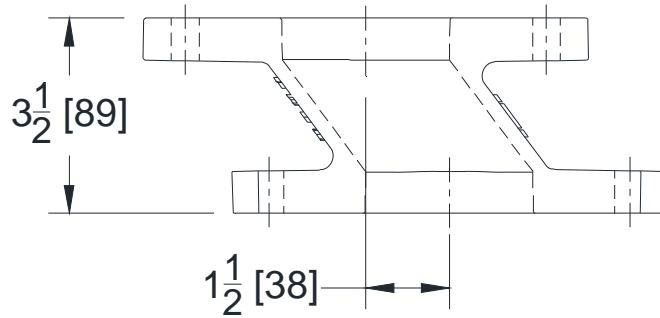


**Z1200-OFR-EZ**  
RIGHT OFFSET FITTING WITH EZ™ TECHNOLOGY

SPECIFICATION SHEET

TAG \_\_\_\_\_

Dimensional Data (inches and [ mm ]) are Subject to Manufacturing Tolerances and Change Without Notice



ISO VIEW

**ENGINEERING SPECIFICATION: ZURN Z1200-OFR-EZ**

Offset fitting for 1-1/2" [38mm] horizontal adjustment to right on water closet carriers with EZ™ technology.

\* Regularly furnished unless otherwise specified.

**Zurn Industries, LLC | Specification Drainage Operation**  
1801 Pittsburgh Avenue, Erie, PA U.S.A. 16502 · Ph. 855-663-9876, Fax 814-454-7929  
In Canada | **Zurn Industries Limited**  
7900 Goreway Drive, Unit 10, Brampton, Ontario L6T 5W6 · Ph. 877-892-5216  
[www.zurn.com](http://www.zurn.com)

Rev. -  
Date: 08/26/2020  
C.N. No. 142986  
Prod. | Dwg. No. Z1200-OFR-EZ