



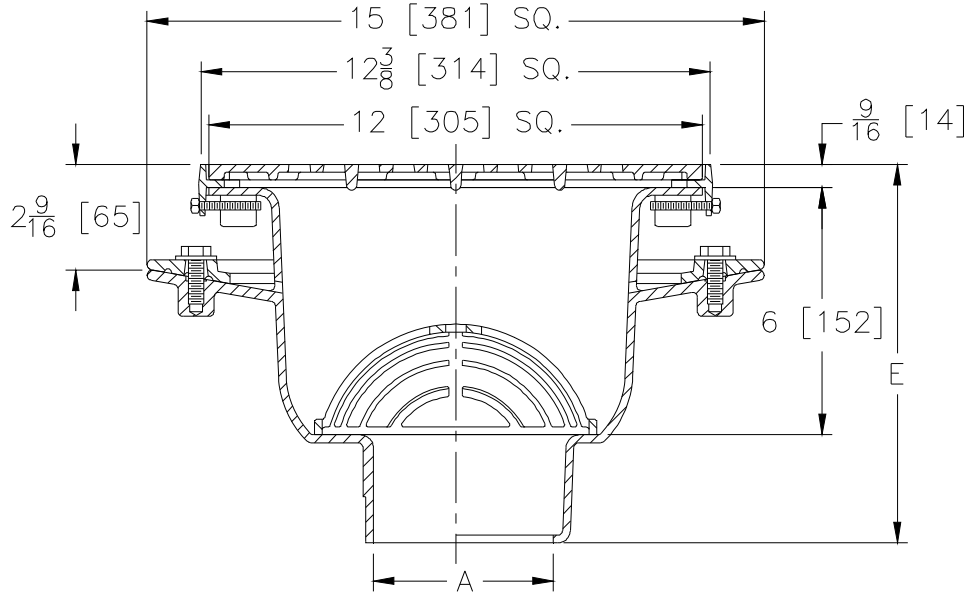
# ZN1900-KC

12-3/8 x 12-3/8 [314 x 314] A.R.E. SANI-FLOR RECEPTOR 6  
 [152] SUMP DEPTH, ANCHOR FLANGE W/ SEEPAGE HOLES &  
 CLAMP COLLAR, NICKEL BRONZE FRAME & GRATE

SPECIFICATION SHEET

TAG \_\_\_\_\_

Dimensional Data (inches and [ mm ]) are Subject to Manufacturing Tolerances and Change Without Notice



A Pipe Size In. [mm]	Approx Wt. Lbs. [kg]	Grate Open Area Sq. In. [cm <sup>2</sup> ]
2,3,4 [51,76,102]	34 [15]	25 [161]

### ENGINEERING SPECIFICATION: ZURN ZN1900-KC

Sani-Flor Receptor 12-3/8" x 12-3/8" x 6" [314mm x 314mm x 152mm] deep cast iron body with anchor flange with seepage holes and clamp collar, white acid resisting porcelain enamel interior, black ground enamel exterior coating, with 12-3/8" x 12-3/8" [314mm x 314mm] nickel bronze frame and grate, complete with white ABS anti-splash interior bottom dome strainer.

### OPTIONS (Check/specify appropriate options)

#### PIPE SIZE

3,4 [76,102]  
 2,3,4 [51,76,102]  
 2,3,4 [51,76,102]

#### (Specify size/type) OUTLET

\_\_\_ IC Inside Caulk  
 \_\_\_ NH No-Hub  
 \_\_\_ NL Neo-Loc

#### 'E' DIMENSION

9-1/8 [232]  
 9-1/8 [232]  
 8-1/2 [216]

### PREFIXES

\_\_\_ ZN Cast Iron Body with White A.R.E. Interior, 12-3/8 [314] Square Nickel Bronze Frame and Full Grate with 1/2 [13] Square Openings.\*

### SUFFIXES

___ -DX Dex-O-Tex Flange	___ -6 Grate w/ 6 [152] dia. x 6 [152] High Funnel
___ -HP Heel-Proof Grate	___ -8 Grate w/ 8-7/8 x 3-5/8 x 3-3/4 [225 x 92 x 95] High Oval Funnel
___ -LD Less Bottom Dome Strainer	___ -11 Vandal-Proof Secured Top
___ -P 1/2 [13] Trap Primer Connection (See Z1023)	___ -15 Solid Loose Set Cover
___ -SA Stabilizer Assembly (See Z1903)	___ -19 Full-Hinged Grate
___ -TC Neo-Loc Test Cap Gasket (2,3,4 [51,76,102] NL Bottom Outlet Only)	___ -23 Aluminum Bucket
___ -VPS Vandal-Proof Strainer	___ -25 White A.R.C. Bucket
___ -1 Less Grate	___ -31 Stainless Steel Mesh Liner for Bucket
___ -2 1/2 Grate	___ -32 Aluminum Dome Strainer
___ -3 3/4 Grate	___ -33 White A.R.C. Anti-Splash Bottom Dome Strainer
___ -4 Full-Grate w/ 3-1/32 [77] Square Center Opening	

\* Regularly furnished unless otherwise specified.

Zurn Industries, LLC | Specification Drainage Operation  
 1801 Pittsburgh Avenue, Erie, PA U.S.A. 16502 · Ph. 855-663-9876, Fax 814-454-7929  
 In Canada | Zurn Industries Limited  
 3544 Nashua Drive, Mississauga, Ontario L4V 1L2 · Ph. 905-405-8272, Fax 905-405-1292  
[www.zurn.com](http://www.zurn.com)

Rev. C  
 Date: 10/12/17  
 C.N. No. 138702  
 Prod. | Dwg. No. ZN1900-KC