

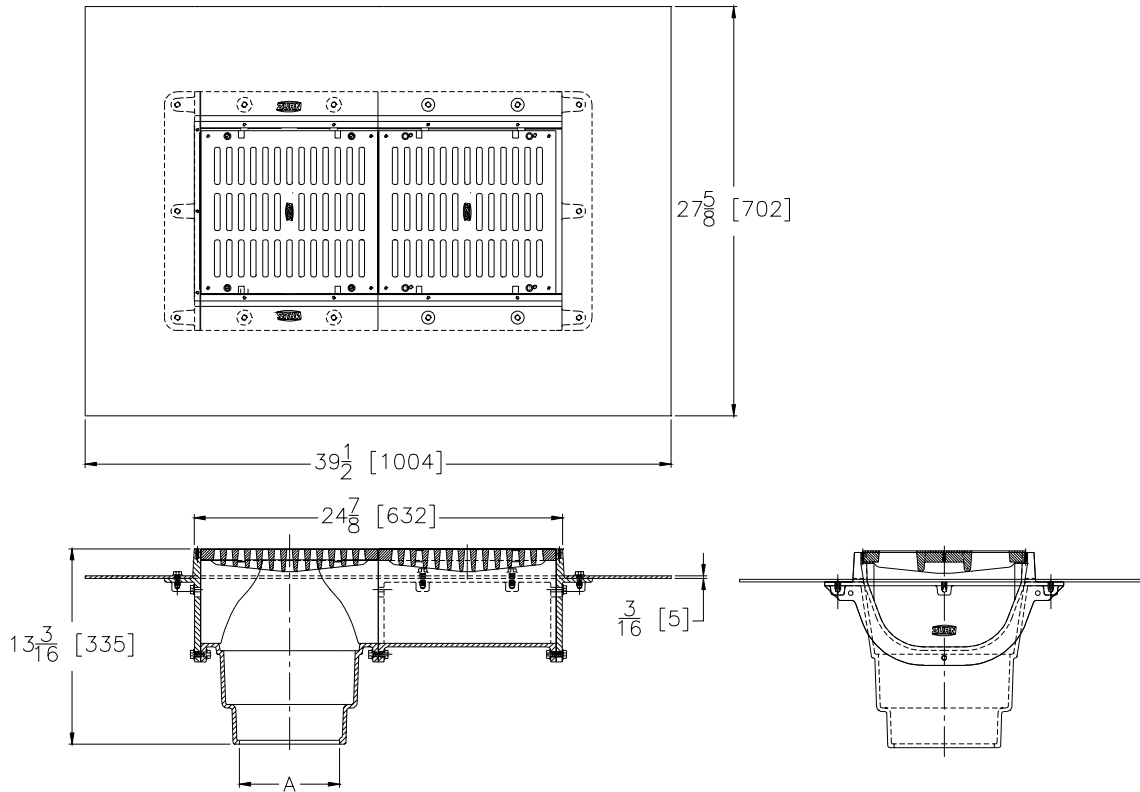


# Z-665-85

## 12" [305] WIDE MODULAR TRENCH DRAIN HEAVY DUTY

TAG \_\_\_\_\_

Dimensional Data (inches and [ mm ]) are Subject to Manufacturing Tolerances and Change Without Notice



A- Pipe Size In.	Approx. Wt. Lbs. [kg]	Grate Open Area Sq. In. [cm <sup>2</sup> ]
2-3-4 [50-75-100]	100 [45]	72 [465]
5-6 [125-150]	110 [50]	

**ENGINEERING SPECIFICATION Z-665-85** 12 [305] Wide flange modular trench drain, Dura-Coated cast iron deep sump body with bottom outlet. Both 12 [305] long outlet module and 12 [305] extension module are complete with integral seepage pan and heavy duty loose slotted grate.

**OPTIONS** (Check/specify appropriate options)

**PIPE SIZE**

(Specify size/type) **OUTLET**

**'E' BODY HT. DIM.**

2 thru 6 [50 thru 150]	_____ IC Inside Caulk	13 3/16 [335]
2 thru 4, 6 [50, 100, 150]	_____ IG Inside Caulk w/Sealtrol Gskt.	13 3/16 [335]
2 thru 4 [50, 100, 150]	_____ NL Neo-Loc	12 1/2 [318]

**PREFIXES**

- \_\_\_\_\_ Z- D.C.C.I. Body and Grate\*
- \_\_\_\_\_ ZB- D.C.C.I Body w/Polished Bronze Top (Add 1/8 [3] to 'E' and 2 [51] Dim.)
- \_\_\_\_\_ ZN- D.C.C.I Body w/Polished Stainless Steel Top Frame and Grate (Add 1/8 [3] to 'E' and 2 [51] Dim.)

**SUFFIXES**

- |   |   |
|---|---|
| _____ -AR Acid Resisting Epoxy Coated Cast Iron | _____ -TS Top Secured With Slotted Screws |
| _____ -DB Bottom Dome Strainer                  | _____ -VP Vandal Proof Secured Top        |
| _____ -DG Duresist Grate                        | _____ -Y Sediment Bucket                  |
| _____ -G Galvanized Cast Iron                   |   |
| _____ -HP Heelproof Grate                       |   |

\*REGULARLY FURNISHED UNLESS OTHERWISE SPECIFIED

**REV. DATE: 06/05/96 C.N. NO. 75166**

**DWG. NO. P-14342 PRODUCT NO. Z-665-85**