



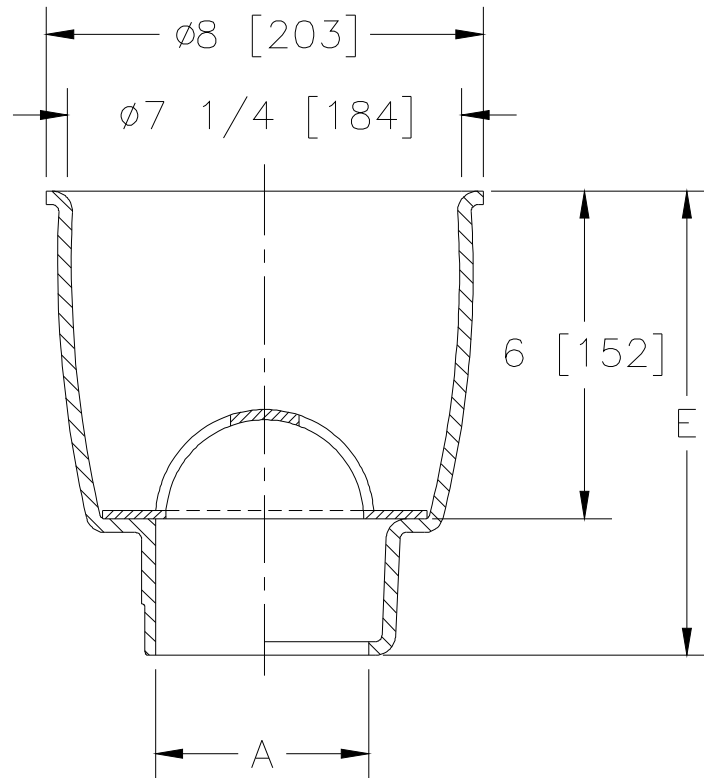
Z1960-1

8 [203] DIAMETER A.R.E. SANI-FLOR RECEPTOR
6 [152] SUMP DEPTH LESS GRATE

SPECIFICATION SHEET

TAG _____

Dimensional Data (inches and [mm]) are Subject to Manufacturing Tolerances and Change Without Notice



A- Pipe Size In. [mm]	Approx. Wt. Lbs. [kg]
2,3,4 [51,76,102]	23 [10]

ENGINEERING SPECIFICATION: ZURN Z1960-1

Sani-Flor Receptor 8" [203mm] diameter x 6" [152mm] deep cast iron body less grate, with white acid resisting porcelain enamel interior and top, black ground enamel exterior coating, complete with aluminum anti-splash interior bottom dome strainer.

OPTIONS (Check/specify appropriate options)

PIPE SIZE	(Specify size/type)	OUTLET	'E' BODY HT. DIMENSION
			Z
3,4 [76,102]	___	IC Inside Caulk	8-1/2 [216]
2,3,4 [51,76,102]	___	NH No-Hub	8-1/2 [216]
2,3,4 [51,76,102]	___	NL Neo-Loc	8 [203]

PREFIXES

___ Z Cast Iron Body with White A.R.E. Interior*

SUFFIXES

- ___ -K Anchor Flange With Seepage Holes
- ___ -KC Anchor Flange With Seepage Holes with Clamp Collar
- ___ -LD Less Internal Bottom Dome Strainer
- ___ -P 1/2 [13] Threaded Trap Primer Connection (See Z1023)
- ___ -T Square Frame and Round Grate with 1/4 [6] Square Openings (ZN Only)
- ___ -TC Neo-Loc Test Cap Gasket (2,3,4 [51,76,102] NL Bottom Outlet Only)
- ___ -23 Aluminum Bucket
- ___ -25 White A.R.C. Bucket
- ___ -31 Stainless Steel Mesh Liner for Bucket
- ___ -32 Aluminum Dome Strainer
- ___ -33 White A.R.C. Anti-Splash Bottom Dome Strainer

* Regularly furnished unless otherwise specified.