



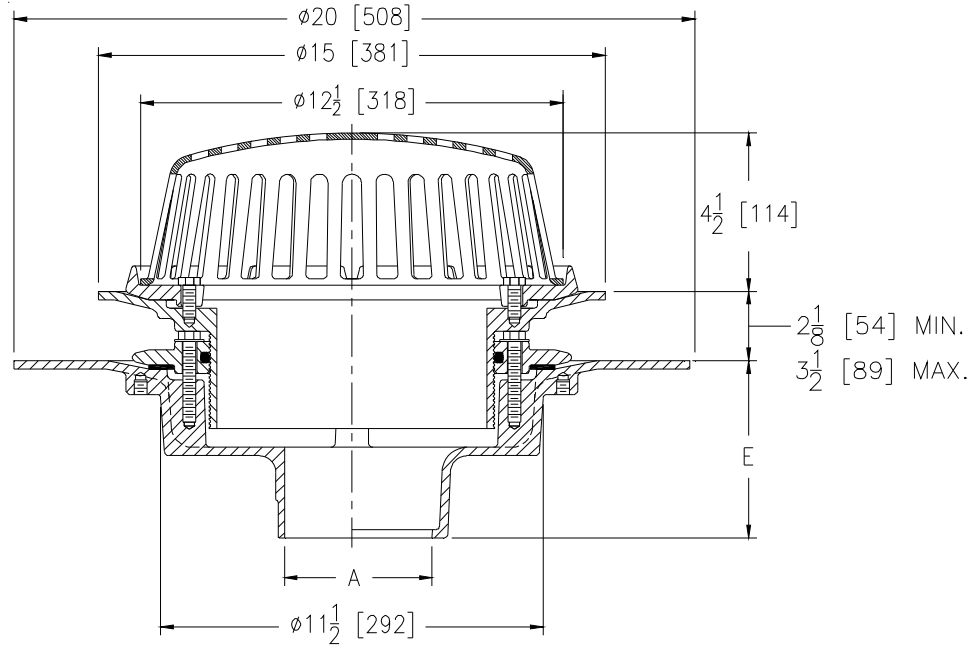
# Z107-EA

## 20 [508] WIDE DECK FLANGE ROOF DRAIN WITH ADJUSTABLE EXTENSION

SPECIFICATION SHEET

TAG \_\_\_\_\_

Dimensional Data (inches and [ mm ]) are Subject to Manufacturing Tolerances and Change Without Notice



A Pipe Size In [mm]	Approx. Wt. Lbs. [kg]	Dome Open Area Sq. In. [cm <sup>2</sup> ]
3,4 [76,102]	58 [26]	103 [665]
6,8 [152,203]		

**ENGINEERING SPECIFICATION: ZURN Z107-EA**  
20" [508mm] Diameter wide deck flange roof drain. Dura-Coated cast iron with combination membrane flashing clamp/gravel guard, adjustable extension and low silhouette Poly-Dome.

**OPTIONS** (Check/specify appropriate options)

**PIPE SIZE**

- 3,4,6 [76,102,152]
- 3,4 [76,102]
- 3,4,6,8 [76,102,152,203]

**OUTLET** (Specify size/type)

- \_\_\_\_\_ IC Inside Caulk
- \_\_\_\_\_ IP Threaded
- \_\_\_\_\_ NH No-Hub

**E BODY HT. DIM.**

- 5-1/4 [133]
- 5-1/4 [133]
- 5-1/4 [133]

**PREFIXES**

- \_\_\_\_\_ Z D.C.C.I. Body with Poly-Dome\*
- \_\_\_\_\_ ZA D.C.C.I. Body with Aluminum Dome
- \_\_\_\_\_ ZC D.C.C.I. Body with Cast Iron Dome

**SUFFIXES**

- |   |   |
|---|---|
| _____ -AC Angular Underdeck Clamp   | _____ -W2 2 [51] Internal Water Dam               |
| _____ -AR Acid Resistant Epoxy Coated Finish                                | _____ -W3 3 [76] Internal Water Dam               |
| _____ -AW Adjustable Water Level Regulator<br>3/4 [19] to 4 [102] (ZC Only) | _____ -W4 4 [102] Internal Water Dam              |
| _____ -C Underdeck Clamp  | _____ -84 Stainless Steel Perforated Gravel Guard |
| _____ -E Static Extension 1 [25] thru 4 [102] (Specify Ht.)                 | _____ -85 Stainless Steel Perforated Extension    |
| _____ -FG Flush Grate   | _____ -89 2 [51] High External Water Dam          |
| _____ -G Galvanized Cast Iron   |   |
| _____ -SS Stainless Steel Mesh Screen Over Dome                             |   |
| _____ -VP Vandal Proof Secured Top  |   |

\* Regularly furnished unless otherwise specified.