



ZF817-12-E4

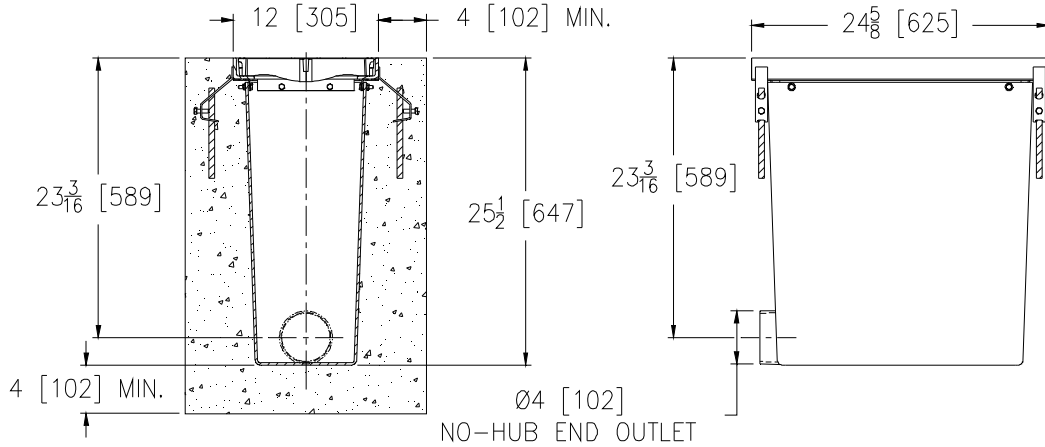
SPECIFICATION SHEET

12 [305] x 24 [610] LONG REVEAL FIBER REINFORCED POLYMER CATCH BASIN W/ Ø4 [102] NO-HUB END OUTLET

TAG _____

Dimensional Data (inches and [mm]) are Subject to Manufacturing Tolerances and Change Without Notice

SPECIFYING ENGINEER IS RESPONSIBLE FOR CONCRETE ENCASEMENT AND REINFORCING BASED UPON APPLICATION AND LOCAL CODES.



ENGINEERING SPECIFICATION: Zurn ZF817-12-E4

Catch Basin is 12 [305] wide, 24-5/8 [625] long reveal and 25-1/2 [647] deep with Ø4 [102] No-Hub End Outlet. The body is made of 0% water absorbent Fiber Reinforced Polyester (FRP) fiberglass. Catch basin weighs less than 14.6 lbs. [6.6 kg] per linear foot, and is provided with standard DGC grate. Zurn 12 [305] wide reveal Ductile Iron Slotted Grate conforming to ASTM specification A536, Grade 80-55-06. Ductile Iron grate is rated class C per the DIN EN1433 top load classifications. Supplied in 24 [608] nominal lengths with 13/16 [21] wide slots, and 1-1/2 [38] bearing depth. Grate has an open area of 80.8sq. in per ft. [171,027 sq. mm per meter]. The #7 gage thick Heavy-Duty Frame Assembly conforms to ASTM specification A36. Frame shall mechanically lock into concrete surround at a maximum spacing of 23 [584] with four rebar attachment brackets as standard to secure the basin in its final location. The frame is supplied with a powder coated finish. All welds must be performed by a certified welder per ASTM standard AWS D1.1. Frame and basin shall be produced in the U.S.A.

PREFIX OPTIONS (Check/specify appropriate options)

___ ZF 12-inch by 24-inch Fiber Reinforced Polymer (FRP)*

SUFFIX OPTIONS (Check/specify appropriate options)

Grate Options (Load Classifications are per DIN EN1433)

- ___ -BDC Black Acid Resistant Epoxy Coated Ductile Grate - Class C
- ___ -BDE Black Acid Resistant Epoxy Coated Ductile Grate - Class E
- ___ -BG Galvanized Ductile Iron Bar Grate - Class D
- ___ -DC Ductile Iron Solid Cover - Class C
- ___ -DGC Ductile Iron Slotted Grate - Class C *
- ___ -DGE Ductile Iron Slotted Grate - Class E
- ___ -DGF Ductile Iron Slotted Grate - Class F
- ___ -GDC Galvanized Ductile Slotted Grate - Class C
- ___ -GDE Galvanized Ductile Slotted Grate - Class E
- ___ -GDF Galvanized Ductile Slotted Grate - Class F
- ___ -GHPD Galvanized Heel-Proof Ductile Grate - Class C
- ___ -GHPDE Galvanized Heel-Proof Ductile Slotted Grate - Class E
- ___ -HPD Heel-Proof Ductile Slotted Grate - Class C

- ___ -HPDE Heel-Proof Ductile Slotted Grate - Class E
- ___ -RFGC Reinforced Slotted Galvanized Grate - Class C
- ___ -RPGC Reinforced Perforated Galvanized Grate - Class C
- ___ -RPGRC Reinforced Perforated Galvanized Reverse Punch Grate - Class C
- ___ -RFSC Reinforced Slotted Stainless Steel Grate - Class C
- ___ -RPSC Reinforced Perforated Stainless Steel Grate - Class C
- ___ -RPSRC Reinforced Perforated Stainless Steel Reverse Punch Grate - Class C

Miscellaneous Options

- ___ -IA Inlet Adapter - Z806
- ___ -IA Inlet Adapter - Z812

MADE in the U.S.A. (Load Classifications are per DIN EN1433)

- ___ -ADA-USA Meets Americans with Disabilities Act Requirements - Class C
- ___ -DGC-USA Ductile Iron Slotted Grate - Class C
- ___ -DGE-USA Ductile Iron Slotted Grate - Class E
- ___ -FG Fabricated Galvanized Steel Slotted Grate - Class A
- ___ -FS Fabricated Stainless Steel Slotted Grate - Class A
- ___ -GADA-USA Galvanized Ductile ADA Slotted Grate - Class C
- ___ -GDC-USA Galvanized Ductile Slotted Grate - Class C
- ___ -GDE-USA Galvanized Ductile Slotted Grate - Class E
- ___ -GHPDE-USA Galvanized Heel-Proof Ductile Slotted Grate - Class E
- ___ -HPDE-USA Heel-Proof Ductile Slotted Grate - Class E
- ___ -PG Perforated Galvanized Steel Grate - Class A

- ___ -PS Perforated Stainless Steel Grate - Class A
- ___ -SBG-L Stainless Steel Bar Grate - Class C

Miscellaneous Options

- ___ -DB Bottom Dome Strainer
- ___ -FT Foul Air Trap
- ___ -VP Vandal-Proof Lockdown
- ___ -Y Sediment Bucket

*REGULARLY FURNISHED UNLESS OTHERWISE SPECIFIED

REV. C DATE: 03/25/13 C.N. NO. 129009
 PROD./DWG. NO. ZF817-12-E4

ZURN INDUSTRIES, LLC ♦ SPECIFICATION DRAINAGE OPERATION ♦ 1801 Pittsburgh Ave. ♦ Erie, PA 16514

Phone: 814455-0921 ♦ Fax: 814454-7929 ♦ World Wide Web: www.zurn.com

In Canada: ZURN INDUSTRIES LIMITED ♦ 3544 Nashua Drive ♦ Mississauga, Ontario L4V1L2 ♦ Phone: 905405-8272 Fax: 905405-1292