

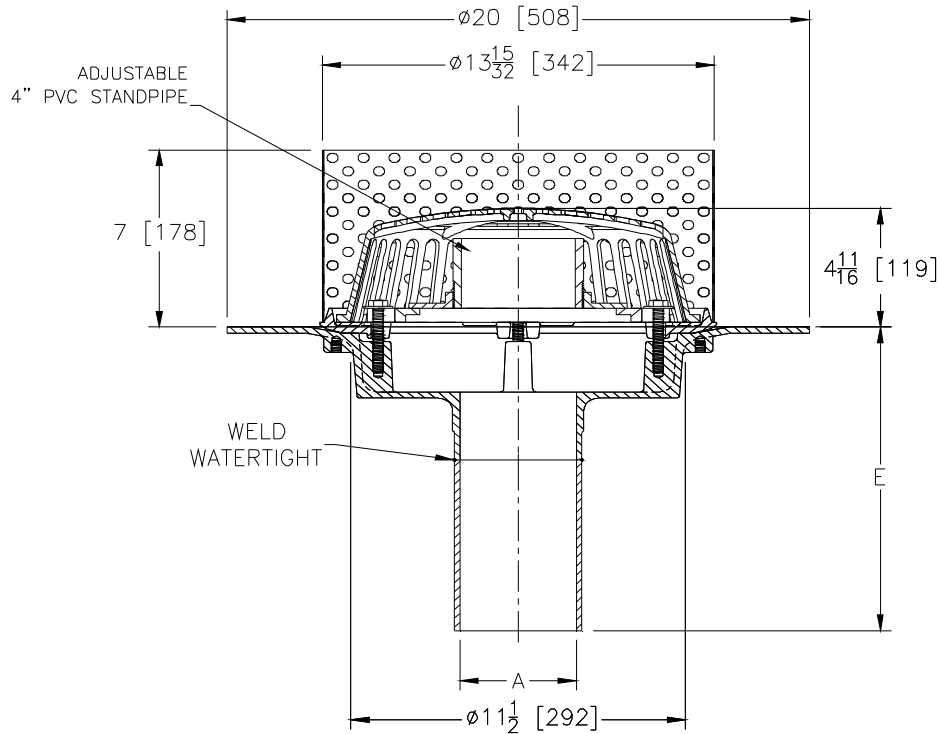


Z107-105

20 [508] DIAMETER WIDE DECK FLANGE ROOF DRAIN
W/ PERFORATED GRAVEL GUARD AND STANDPIPE

TAG _____

Dimensional Data (inches and [mm]) are Subject to Manufacturing Tolerances and Change Without Notice



A	Approx. Wt.	Dome Open Area
4 [102]	44 [20]	103 [665]

ENGINEERING SPECIFICATION: ZURNZ107-105
20 [508] Diameter wide deck flange roof drain with outlet extension. Dura-Coated cast iron body with combination membrane flashing clamp/ gravel guard with adjustable standpipe, perforated stainless steel gravel guard, and low silhouette Poly-Dome strainer.

OPTIONS (Check/specify appropriate options)

PIPE SIZE
4 [102]

(Specify size/type) **OUTLET**
_____ NH No-Hub

E BODY HT. DIM.
12 [305]

PREFIXES

- _____ Z D.C.C.I. Body with Poly-Dome*
- _____ ZA D.C.C.I. Body with Aluminum Dome
- _____ ZC D.C.C.I. Body with Cast Iron Dome
- _____ ZRB D.C.C.I. Body with Plain Bronze Dome

SUFFIXES

- _____ -AC Angular Underdeck Clamp
- _____ -AR Acid Resistant Epoxy Coated
- _____ -C Underdeck Clamp
- _____ -E Static Extension 1 [25] thru 4 [102] (Specify Ht.)
- _____ -EA Adjustable Extension Assembly
2 1/8 [54] thru 3 1/2 [89]
- _____ -FG Flush Grate (Replaces Dome Strainer)
- _____ -G Galvanized Cast Iron
- _____ -GD Galvanized Cast Iron Dome (ZC only)
- _____ -HD 6 3/4 [171] High Aluminum Dome
(148 sq. in. [955 cm²] open area)
- _____ -VP Vandal-Proof Secured Top
- _____ -XJ Vertical Expansion Joint (See Z190)
- _____ -85 Stainless Steel Perforated Extension

REV. A	DATE: 09/23/11	C.N. NO. 122186
DWG. NO. 306652		PRODUCT NO. Z107-105

*REGULARLY FURNISHED UNLESS OTHERWISE SPECIFIED