



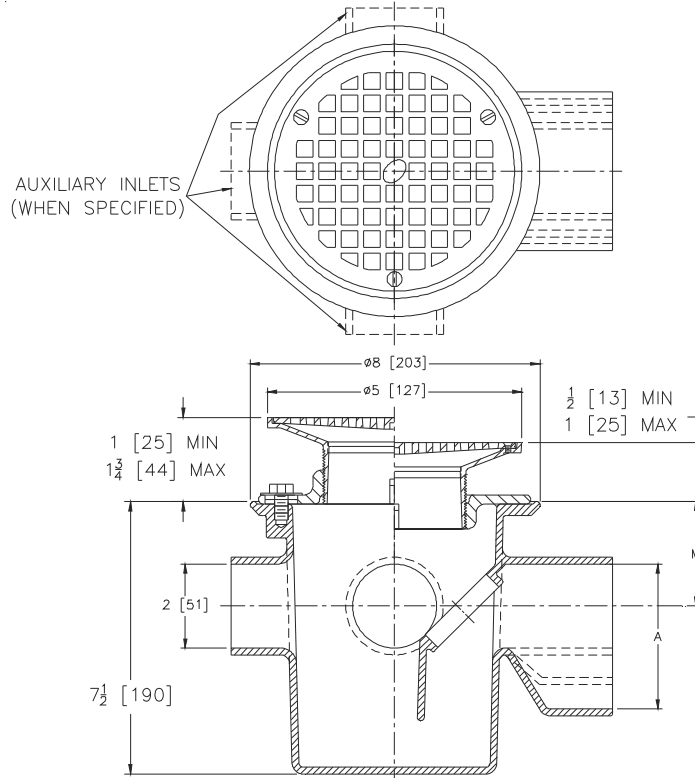
# Z356-80

## MULTI-INLET ADJUSTABLE FLOOR DRAIN WITH OPEN TRAP

SPECIFICATION SHEET

TAG \_\_\_\_\_

Dimensional Data (inches and [ mm ]) are Subject to Manufacturing Tolerances and Change Without Notice



Dimensions In Inches [mm]		Approx. Wt. Lbs. [kg]
A-Pipe Size	M	
2 [51]	2 7/8 [73]	18 [8]
3 [76]	3 3/8 [86]	
4 [102]	3 23/32 [94]	

**ENGINEERING SPECIFICATION: ZURN Z356-80**  
 Multi-Inlet adjustable floor drain with trap, Dura-Coated cast iron body, invertable collar and 5" [127mm] round, polished nickel bronze adjustable top.

**OPTIONS** (Check/specify appropriate options)

**PIPE SIZE**

2,3,4 [51,76,102]

(Specify size/type) **OUTLET**

\_\_\_\_\_ NH No-Hub

**PREFIXES**

- \_\_\_\_\_ ZB D.C.C.I. Body w/Polished Bronze Top
- \_\_\_\_\_ ZN D.C.C.I. Body w/Polished Nickel Bronze Top\*

**SUFFIXES**

- \_\_\_\_\_ -AR Acid Resisting Epoxy Coated Cast Iron
- \_\_\_\_\_ -G Galvanized Cast Iron
- \_\_\_\_\_ -J Auxiliary Inlet Connection (Opposite Outlet)
- \_\_\_\_\_ -J2 Two (2) Auxiliary Inlet Connections  
(1 Opposite Outlet, 1 Left Side Facing Outlet)
- \_\_\_\_\_ -J3 Three (3) Auxiliary Inlet Connections
- \_\_\_\_\_ -PC Protective Cover
- \_\_\_\_\_ -VP Vandal-Proof Secured Top

\* Regularly furnished unless otherwise specified.