



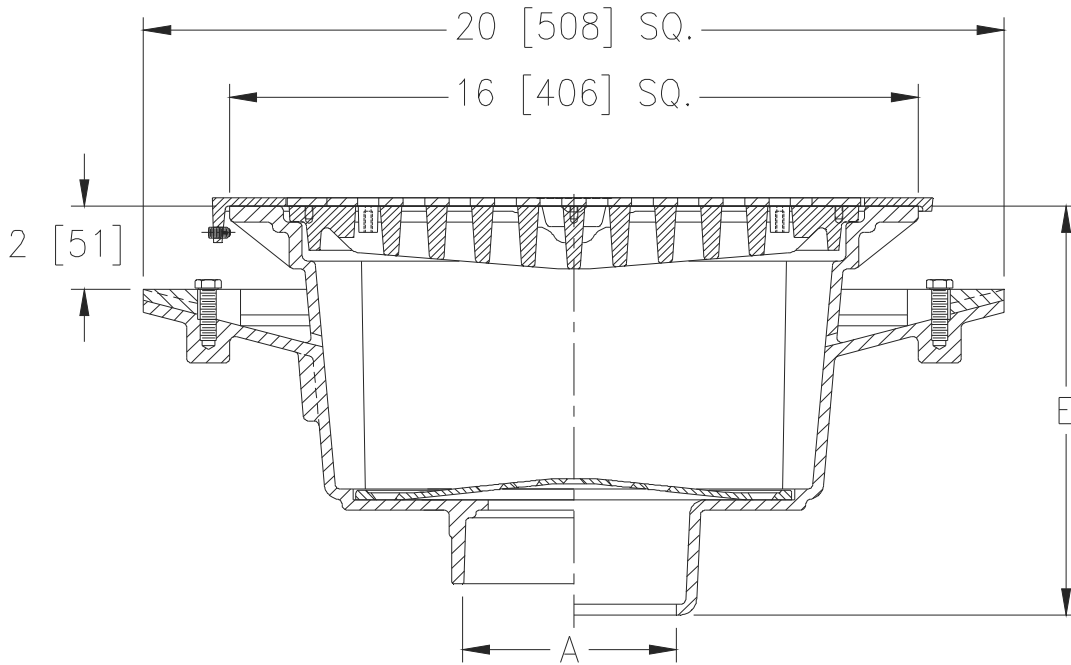
Z568-79

16 [406] SQUARE TOP DRAIN W/ FLANGE WITH SEEPAGE HOLES, CLAMP COLLAR, & STAINLESS STEEL TOP

SPECIFICATION SHEET

TAG _____

Dimensional Data (inches and [mm]) are Subject to Manufacturing Tolerances and Change Without Notice



A Pipe Size Inches	Approx. Wt. Lbs. [kg]
3-4-6 [76-102-152]	74 [33]

ENGINEERING SPECIFICATION: ZURN Z568-79

16 [406] Square top drain, Dura-Coated cast iron body with bottom outlet, flange with seepage holes, clamp collar, and loose set cast iron secondary strainer. Complete with cast iron slotted grate and stainless steel veneer.

OPTIONS (Check/specify appropriate options)

PIPE SIZE

- 3, 4, 6 [76, 102, 152]
- 3, 4, 6 [76, 102, 152]
- 3 [76]
- 4, 6 [102, 152]
- 3, 4 [76, 102]

(Specify size/type) OUTLET

- ___ IC Inside Caulk
- ___ IG Inside Gasket
- ___ IP Threaded
- ___ IP Threaded
- ___ NL Neo-Loc

'E' BODY HT. DIM.

- 9-3/4 [248]
- 9-3/4 [248]
- 7-7/8 [200]
- 8-1/8 [206]
- 9 [229]

PREFIXES

- ___ ZS D.C.C.I. Body with Stainless Steel Top*

SUFFIXES

- ___ -AR Acid Resisting Epoxy Coated Cast Iron
- ___ -BT Bell Trap Bucket (4 and 6 [102 and 152] Sizes Only)
- ___ -G Galvanized Cast Iron
- ___ -TC Neo-Loc Test Cap Gasket (3 [76] - 4 [102] NL Bottom Outlet Only)
- ___ -WS Wide Slotted Grate (Open area 105 sq. in. [677cm²])
- ___ -Y Sediment Bucket

REV.	DATE: 07/29/13	C.N. NO. 129704
PROD. NO./DWG. NO. Z568-79		

*REGULARLY FURNISHED UNLESS OTHERWISE SPECIFIED