



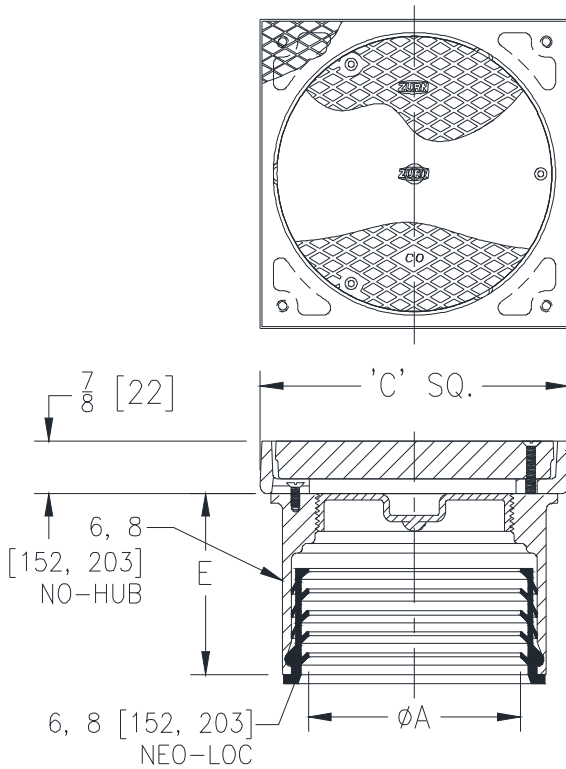
# Z1402-T

## HEAVY-DUTY NON-ADJUSTABLE FLOOR CLEANOUT WITH SQUARE TOP

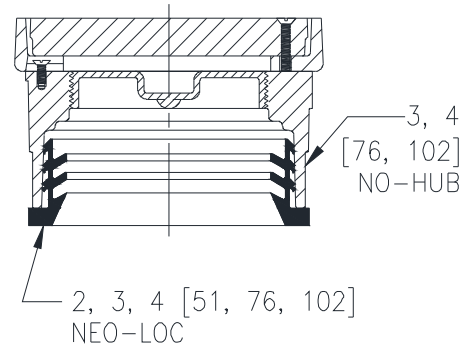
SPECIFICATION SHEET

TAG \_\_\_\_\_

Dimensional Data (inches and [ mm ]) are Subject to Manufacturing Tolerances and Change Without Notice



Dimensions In Inches [mm]				Approx. Wt. Lbs. [kg]
A-Pipe Size		C	E	
NL	NH			
2 [51]	3 [76]	4-1/8 [105]	2-3/4 [70]	5 [2]
3 [76]	4 [120]	5-1/8 [130]	2-3/4 [70]	8 [4]
4 [102]	---	6-1/8 [156]	2-3/4 [70]	10 [5]
----	6 [152]	7-1/4 [184]	3-5/8 [92]	15 [7]
6 [152]	---	8-1/4 [210]	3-5/8 [92]	17 [8]
8 [203]	8 [203]	9-1/4 [235]	3-5/8 [92]	22 [10]



### ENGINEERING SPECIFICATION: ZURN Z1402-T

Tuf-Top non-adjustable floor cleanout with Dura-Coated cast iron body, with gas and watertight ABS tapered thread plug, and square top scoriated cast iron heavy-duty secured cover and frame.

### OPTIONS (Check/specify appropriate options)

#### PIPE SIZE

3, 4, 6, 8 [76, 102, 152, 203]

2, 3, 4, 6, 8 [51, 76, 102, 152, 203]

#### (Specify size/type) OUTLET

\_\_\_\_\_ NH No-Hub

\_\_\_\_\_ NL Neo-Loc

#### 'E' BODY HT. DIM.

See Chart

See Chart

#### PREFIXES

\_\_\_\_\_ Z Dura-Coated Cast Iron\*

\_\_\_\_\_ ZB D.C.C.I. with Polished Bronze Light-Duty Top (Deduct 1/2 [13] from 7/8 [22] Dim.)

\_\_\_\_\_ ZN D.C.C.I. with Polished Nickel Bronze Light-Duty Top (Deduct 1/2 [13] from 7/8 [22] Dim.)

#### SUFFIXES

\_\_\_\_\_ -BP Bronze Plug

\_\_\_\_\_ -CM Carpet Marker

\_\_\_\_\_ -G Galvanized Cast Iron

\_\_\_\_\_ -HD Heavy-Duty Veneer Top  
(Add 1/8 [3] to 7/8 [22] Dim. for (ZB and ZN only)

\_\_\_\_\_ -TC Neo-Loc Test Cap Gasket

(2, 3, 4 [51, 76, 102] NL Bottom Outlet Only)

\_\_\_\_\_ -VP Vandal-Proof Screws

\* Regularly furnished unless otherwise specified.