



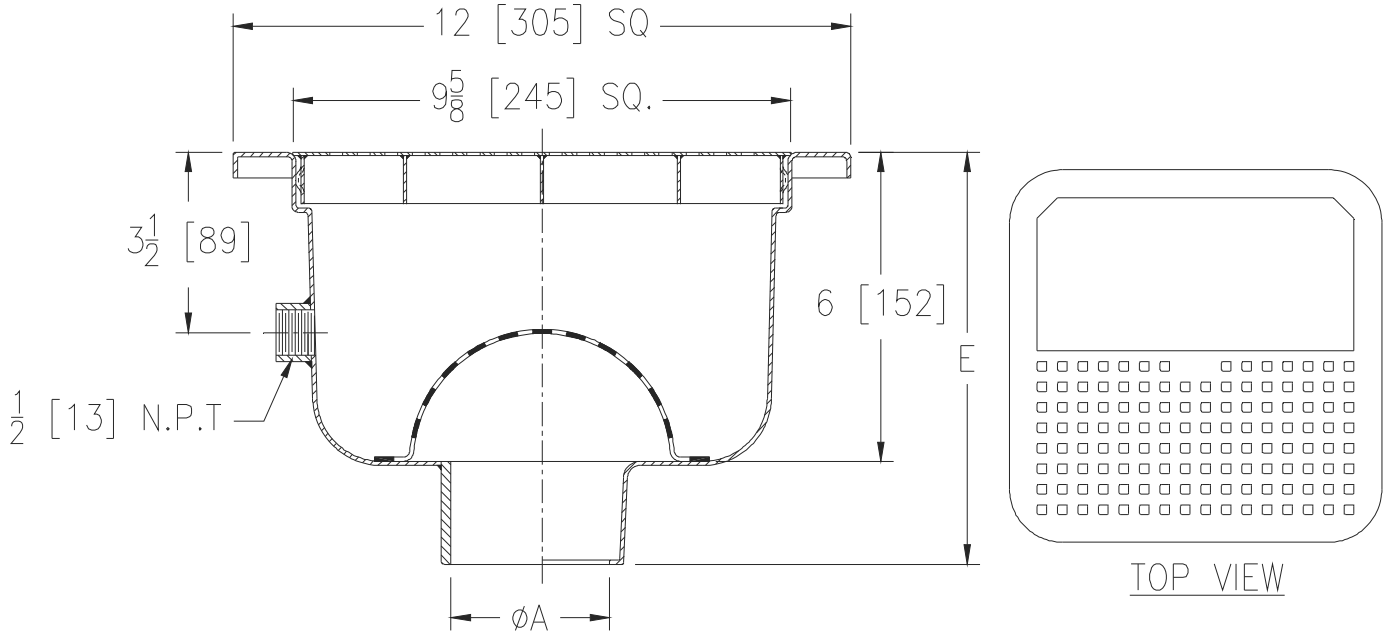
Z1750-HP-P-2

12 X 12 [305 X 305] SANI-FLOR RECEPTOR W/ 1/2 [13] TRAP PRIMER CONNECTION 6 [152] SUMP DEPTH

SPECIFICATION SHEET

TAG _____

Dimensional Data (inches and [mm]) are Subject to Manufacturing Tolerances and Change Without Notice



A- Pipe Size In. [mm]	Approx. Wt. Lbs. [kg]	Grate Open Area Sq. In. [cm ²]
2,3,4 [51,76,102]	15 [7]	23 [148]
6 [152]	17 [8]	

ENGINEERING SPECIFICATION: ZURN Z1750-HP-P-2
 12" x 12" x 6" [305mm x 305mm x 152mm] deep, 16 gage, All Type 304 (CF8) Stainless Steel light-duty Sani-Flor receptor, non-tilt loose set half grate with 1/4" [6mm] square openings, 1/2" [13mm] trap primer connection, and anti-splash interior dome strainer.

OPTIONS (Check/specify appropriate options)

PIPE SIZE

- 2,3,4 [51,76,102]
- 2 [51]
- 3 [76]
- 4 [102]
- 2,3,4, 6 [51,76,102,152]
- 2,3,4 [51,76,102]

(Specify size/type) **OUTLET**

- ___ IC Inside Caulk
- ___ IP Threaded
- ___ IP Threaded
- ___ IP Threaded
- ___ NH No-Hub
- ___ NL Neo-Loc

'E' BODY HT. DIM.

- 8-9/16 [214]
- 7-5/16 [186]
- 7-9/16 [198]
- 8-1/16 [205]
- 8-1/16 [205]
- 7-13/16 [198]

PREFIXES

- ___ Z Type 304 (CF8) Stainless Steel Body*
- ___ ZM Type 316 (CF8M) Stainless Steel

SUFFIXES

- | | |
|--|---|
| ___ -DX Dex-o-tex Flange | ___ -3 3/4 Grate |
| ___ -HD Extra Heavy Duty Grate | ___ -4 Full Grate w/ 3 [76] Square Opening |
| ___ -K Anchor Flange w/ Seepage Holes | ___ -5 Grate w/ 4 [102] Dia. x 3 3/4 [95] High Type 304 Stainless Steel Funnel |
| ___ -KC Anchor Flange w/ Seepage Holes and Clamp Collar | ___ -8 Grate w/ 8-3/8 x 3-5/8 x 3-3/4 [213 x 92 x 95] High Type 304 Stainless Steel Oval Funnel |
| ___ -LSH (Less) Seepage Holes | ___ -15 Solid Cover |
| ___ -SG Solid Gasketed Cover | ___ -16 1/2 Solid Cover |
| ___ -TC Neo-Loc Test Cap Gasket (2,4 [51,102] NL Bottom Outlet Only) | ___ -17 3/4 Solid Cover |
| ___ -VP Vandal-Proof Secured Top | ___ -18 Solid Cover w/ 3 [76] Square Center Opening |
| ___ -Y Sediment Bucket | ___ -19 Full Hinged Grate |
| ___ -YS Suspended Sediment Bucket | ___ -20 Full Hinged Solid Cover |
| ___ -1 (Less) Grate | |

* Regularly furnished unless otherwise specified.