



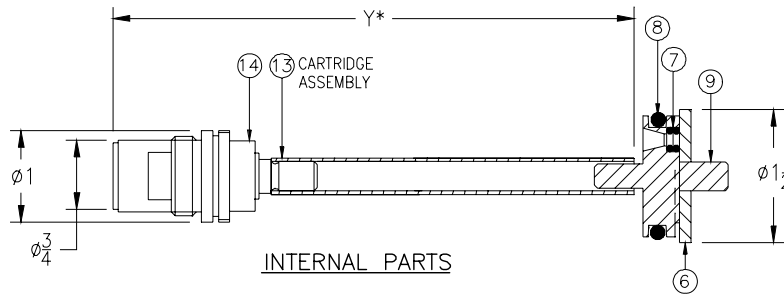
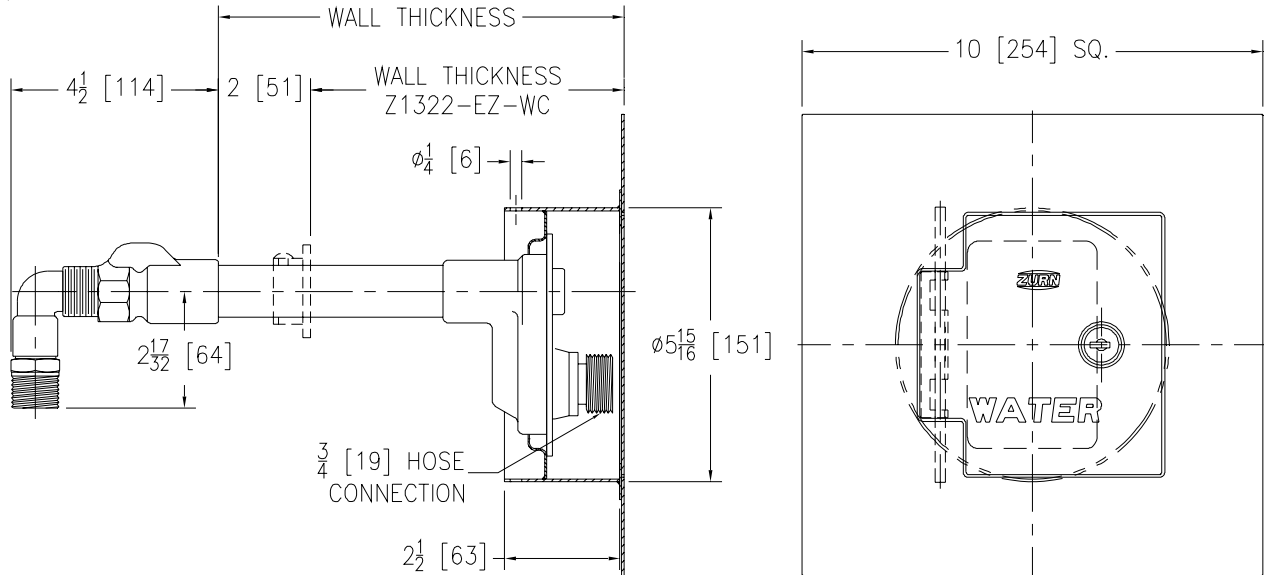
Z1322-EZ-34EL

SPECIFICATION SHEET

ECOLOTRON CERAMIC DISC WALL HYDRANT W/3/4 [19] 90° SOLDER INLET ELBOW, Encased, Non-Freeze, Anti-Siphon, Automatic Draining

TAG _____

Dimensional Data (inches and [mm]) are Subject to Manufacturing Tolerances and Change Without Notice



Wall Thickness Inches	Approx. Wt. Lbs. [kg]
6-8 [152-203]	5 [2]
10-12-14 [254-305-356]	6 [3]
16-18 [406-457]	7 [3]
20-22-24 [508-559-610]	8 [4]
26 [660]	10 [5]

ENGINEERING SPECIFICATION: ZURN Z1322-EZ-34EL

Encased Ecolotrol "anti-siphon" automatic draining wall hydrant. For flush installation in 6 [152] dia. cored hole concrete exterior wall. Complete with copper casing, all bronze interior parts with 1/2 turn ceramic disk cartridge and 3/4 [19] 90° solder inlet elbow. Stainless steel large flange box and hinged cover with operating key lock and "WATER" stamped on cover. (All solder connections are lead free.)

PARTS LIST

Item	Name	Quan.
14	Cartridge	1
13	Operating Tube	1
9	Operating Coupling	1
8	'O' Ring	1
7	'O' Ring	2
6	Retaining Washer	1

OPTIONS (Check/specify appropriate options)

SUFFIXES

- ___ -CL Cylinder Lock
- ___ -RK Hydrant Parts Repair Kit
- ___ -RT12 Ceramic Cartridge Removal Tool (Up to 12 [305] Wall)
- ___ -RT24 Ceramic Cartridge Removal Tool (Up to 24 [610] Wall)
- ___ -RT36 Ceramic Cartridge Removal Tool (Up to 36 [915] Wall)
- ___ -8 8 [203] Dia. Cored Hole



PAT. NO. 7,395,834

REV. A	DATE: 07/21/11	C.N. NO. 121652
DWG. NO. 84090	PRODUCT NO. Z1322-EZ-34EL	

*WHEN ORDERING REPLACEMENT CARTRIDGE ASSEMBLY SPECIFY DIM.