



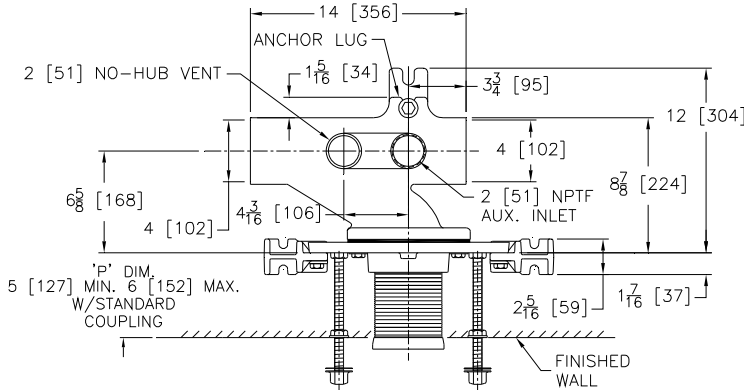
Z1203-111

ADJUSTABLE HORIZONTAL SIPHON JET NO-HUB W/ 2 [51] N.P.T.F. AUX. INLET

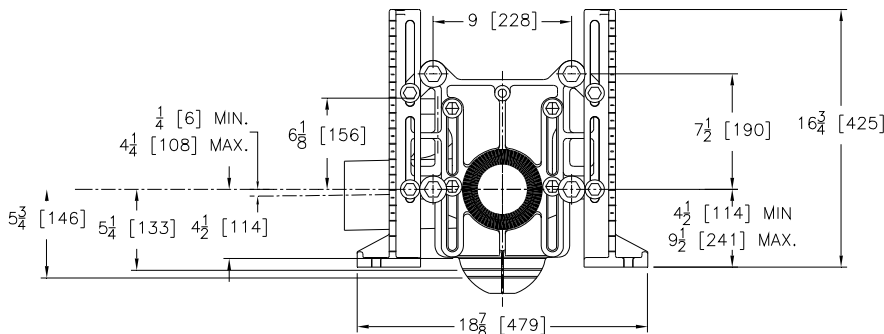
SPECIFICATION SHEET

TAG _____

Dimensional Data (inches and [mm]) are Subject to Manufacturing Tolerances and Change Without Notice



Product Number	Approx. Wt. Lbs. [kg]
Z1203-NL4-111	67 [30]
Z1203-NR4-111	



Note:

1. Min. 'P' Dim. Obtainable=2 [51]
2. Feet bolted to floor using min. 1/2 [13] dia. bolts and back slots on carrier feet.
3. Back anchor foot required for secure installation.

ENGINEERING SPECIFICATION: ZURN Z1203(-)-111

Adjustable, horizontal siphon jet water closet "Rigid System" with 4 [102] No-Hub connections. Complete with Dura-Coated cast iron right hand or left hand main fitting, with 2 [51] vent and 2 [51] N.P.T.F. auxiliary inlet, adjustable gasketed face plate, universal floor mounted foot supports, corrosion resistant adjustable ABS coupling with integral test cap, fixture bolts, trim, and stud protectors. Rear anchor tie down and bonded "Neo-Seal" gasket.

OPTIONS (Check/specify appropriate options)

- Z1203-NL4-111** 4 [102] No-Hub Right Hand Inlet with Flow to Left
Z1203-NR4-111 4 [102] No-Hub Left Hand Inlet with Flow to Right

PREFIXES

- ____ Z D.C.C.I. System with Zurn "ZZ" Adjustable Coupling*
 ____ ZQ D.C.C.I. System with Non-Adjustable Coupling

SUFFIXES

- | | |
|---|--|
| <p>____ -A Auxiliary Support Assembly (For 'P' Dim. Greater than 18 [457])</p> <p>____ -B Blowout Type Fixture Support</p> <p>____ -BC Back Cleanout</p> <p>____ -BE Barrell Extension (Up to 40 [1016])</p> <p>____ -CC Corrosion Resistant Cast Iron Coupling (6 [152] to 12 [305])</p> <p>____ -CL Coupling Length Greater Than 12 [305] (Specify Length Required).</p> <p>____ -F Floor Mounted, Back Outlet Fixture Support</p> <p>____ -G Galvanized Cast Iron</p> <p>____ -M Auxiliary Foot Support (For 'P' Dim. 10 [254] - 18 [457])</p> <p>____ -VP Vandal-Proof Trim</p> | <p>____ -X Heavy-Duty 500 Lb. [227 kg.] Carrier Rear Anchor Tie Down.</p> <p>____ -XB Bariatric 1000 Lb. [454 kg.] Carrier</p> <p>____ -XH Extra-Heavy-Duty 750-Lb. [340 kg.] Carrier</p> <p>____ -XI 2 [51] Integral Foot Extension</p> <p>____ -X3 3 [76] Foot Extension Assembly</p> <p>____ -X4 4 [102] Foot Extension Assembly</p> <p>____ -29 Mechanical Test Cap Assembly</p> <p>____ -45 Finishing Frame for Siphon Jet System (For Blowout System specify -45 -B)</p> <p>____ -50 Flush Valve Supply Support for Water Closets</p> <p>____ -61 "ZZ" Coupling Wrench</p> |
|---|--|

*REGULARLY FURNISHED UNLESS OTHERWISE SPECIFIED

REV.	DATE: 02/10/09	C.N. NO. 99666
DWG. NO. P-15663	PRODUCT NO. Z1203-111	